

TT RS

Coupé &

Roadster

April 2024

The Audi TT RS

Unbridled power, a captivating design as well as high driving stability and dynamics - simply sports car level.

This pricelist will make it easy for you to build your TT RS, taking you through all the model, engine and option choices. The online configurator is also available to build your dream car.





Engines and Pricing | TT RS

Engine	Fuel type	Transmission	Power output (kW)	Torque (Nm)	Fuel consumption (l/100 km)			CO ₂ emissions (g/km)	0 – 100 km/h (sec)	Top speed (km/h)	RRP*
					Urban	Extra urban	Combined				
TT RS Coupé quattro	Petrol	S tronic	294	480	12.0	6.7	8.7	197	3.7	250	R 1,277,500
TT RS Roadster quattro	Petrol	S tronic	294	480	12.1	6.8	8.8	199	3.9	250	R 1,335,600

Fuel consumption and CO₂ data applies to the German Market. The specified values are determined in accordance with certain test procedures. The specifications do not refer to an individual vehicle but serve only as a basis for comparing the different types of vehicles. In addition, the consumption figures achieved during normal driving may differ from the test values, depending in particular on special equipment fitted, vehicle loading, personal driving style, road and traffic conditions, environmental factors and conditions of the car.

* RRP is inclusive of VAT, CO₂ emissions tax and an optional 5 year/100,000km Audi Freeway Plan



Standard Equipment | TT RS Coupé & Roadster

Wheels:

- ▶ Audi Sport alloy wheel 9J x 20, 7-spoke rotor style, Anthracite Black, diamond-turned with 255/30 R20 tyres
- ▶ Anti-theft wheel bolts
- ▶ Brake calipers painted in red
- ▶ Tyre mobility system
- ▶ Tyre pressure monitoring system

Performance & suspension:

- ▶ Audi drive select
- ▶ quattro
- ▶ RS sports suspension
- ▶ RS sports exhaust system*

Exterior equipment:

- ▶ Exterior RS body package in black*
- ▶ Exterior mirror housings in black*
- ▶ Exterior mirrors, power-adjustable, heated and power-folding
- ▶ Parking aid plus
- ▶ Rear view camera system
- ▶ RS rear wing with winglets

Interior equipment:

- ▶ 4-way lumbar support for the front seats
- ▶ Comfort automatic air conditioning system
- ▶ Comfort key
- ▶ Decorative inserts "Aluminium Race", Anthracite
- ▶ Driver and front passenger airbag with front passenger airbag deactivation
- ▶ Fine Nappa Leather package with honeycomb stitching
- ▶ First aid kit with warning triangle and safety vests
- ▶ ISOFIX child seat anchors for front passenger seat
- ▶ Power seats in front with pneumatic adjustment of the seat backrest bolsters
- ▶ RS leather-wrapped sports steering wheel with multifunction Plus and 2 control satellites
- ▶ Scuff plates with aluminum inserts
- ▶ Side airbags in front and curtain airbag system
- ▶ Sports seats Plus in front
- ▶ Storage and Luggage Compartment package

Lighting:









- ▶ LED headlamps
- ▶ OLED rear combination lamps

Audio & communication:

- ▶ Audi smartphone interface
- ▶ Audi sound system
- ▶ Audi virtual cockpit
- ▶ MMI Navigation plus with MMI touch



Paint | TT RS

Colour Code		Description	TT RS Coupé	TT RS Roadster
2Y2Y		Glacier White Metallic	R 2,790	R 2,790
0E0E		Myth Black	R 2,790	R 2,790
Y1Y1		Tango Red Metallic	R 2,790	R 2,790
R1R1		Python Yellow Metallic	R 2,790	R 2,790
6Y6Y		Daytona Grey Pearlescent	R 39,810	R 39,810
T3T3		Nardo Grey solid	No cost	No cost
N6N6		Turbo Blue solid	R 2,790	R 2,790
7R7R		Kyalami Green solid	R 2,790	R 2,790
Q0Q0		Individual paint finish, Audi exclusive	R 53,000	Q0Q0
O000		Individual matte paint finish, Audi exclusive	R 80,000	O000
PA		Black top (Roadster only)	---	S



Wheels & tyres | TT RS

		TT RS Coupé	TT RS Roadster
CT1	Audi Sport alloy wheel 9J x 20, 7-spoke rotor style, Anthracite Black, diamond-turned with 255/30 R20 tyres	S	S
CP5	Audi Sport alloy wheel 9J x 20, 7-spoke rotor style, Matte Titanium Gray, diamond-turned with 255/30 R20 tyres	No cost	No cost
45X	Audi Sport alloy wheels, 5-arm cutter style, Anthracite Black, diam.-turn., 9.0Jx20, 255/30 R20 tyres	No cost	No cost

20"



Standard



CP5



45X



Optional extras | TT RS

Equipment packages:		TT RS Coupé	TT RS Roadster
5L2	Aluminium styling package Front spoiler, mount and winglets of the RS rear wing as well as side frames and horizontal bar of the diffuser insert in the rear in matte aluminium look	R 10,900	R 10,900
PAJ	Black styling package with Audi rings and badging in black Contents of the Black styling package with Audi rings and TT RS lettering in the Audi Singleframe and on the boot lid in gloss black	R 3,000	R 3,000
PEF/PEJ	RS Design interior package in red Includes the following equipment: <ul style="list-style-type: none"> • Inner rings of the air vents in glossy lacquer, tango red • Seat belts with red edges • Floor mats in black with contrasting stitching in express red and RS lettering • Side seat covers in Tango Red, metallic • Accent clasp on the centre console in tango red gloss lacquer 	R 15,050	R 15,050
PEI	RS Design interior package in blue Includes the following equipment: <ul style="list-style-type: none"> • Inner rings of the air vents in turbo blue satin lacquer • Seat belts with a blue border • Floor mats in black with contrasting stitching in ara blue and RS lettering • Side seat covers in turbo blue satin lacquer • Accent clasp on the centre console in turbo blue satin lacquer 	R 15,050	R 15,050
Lighting:			
8G1	High beam assist Detects the headlights of oncoming traffic, the rear lights of other road users and light sources in built up areas. Depending on the traffic situation, the high beam automatically adjusts to dipped beam and vice versa. The system improves the driver's visibility and brings added comfort and convenience.	R 2,630	R 2,630



Optional extras | TT RS

<u>Exterior equipment:</u>		TT RS Coupé	TT RS Roadster
6FT	Exterior mirror housings in Aluminium Only available in conjunction with 5L2	No cost	No cost
NM5	Engine cover with carbon applications	R 10,050	R 10,050
7S1	Electric wind deflector The wind deflector offers comfortable and relaxed convertible driving pleasure even at high speeds. Reduces wind currents in the interior; electrically retractable and extendable	---	R 7,550
<u>Interior equipment:</u>			
4A3	Seat heaters in front	R 6,090	R 6,090
7HB	Leather package Armrests in the door panels, door pull handles and lower centre console in leather with contrasting stitching, matched to the respective interior trim colour	R 6,550	R 6,550
5MB	Decorative inserts in Carbon Twill	R 14,250	R 14,250
9JD	Cigarette lighter and ashtray	R 520	R 520



Optional extras | TT RS

Infotainment, radio & telephone systems:		TT RS Coupé	TT RS Roadster
9VS	Bang & Olufsen Premium Sound System Surround sound playback via 12 high-performance speakers including two centre speakers and two bass boxes in the doors; 14-channel amplifier with a total output of 680 watts. The exclusive speaker covers with aluminum applications and the LED accent lighting of the front woofers ensure a perfect design experience.	R 10,170	R 10,170
9ZE + GB1	Audi phone box with wireless charging Offers wireless charging (with Qi-enabled compatible phones) and creates an additional Bluetooth interface for a second device, allowing 2 mobile phones to be connected to the vehicle simultaneously.	R 4,880	R 4,880
Assistance systems & suspension:			
7Y1	Audi side assist Audi side assist uses two radar sensors to measure the distance and speed difference between vehicles approaching from behind. The system warns the driver of a possible danger when changing lanes through a display on the respective exterior mirror. If the driver activates the indicator to change lanes, he is additionally warned by the display flashing. The system works in the range of around 30 to 250 km / h and is activated via the MMI car menu.	R 9,410	R 9,410
1BQ	Sports suspension Plus with Audi magnetic ride The RS sport suspension plus with Audi magnetic ride increases driving comfort and dynamism and includes: <ul style="list-style-type: none"> • adaptive damper system, electronically adjustable in three stages • Front axle with McPherson struts • 4-link rear axle with separate spring-damper coordination • Chassis tuning via Audi drive select, adjustable in three stages: auto, comfort, dynamic 	R 14,950	R 14,950
6Y9	Top speed increased to 280 km/h	R 25,200	R 25,200



Important information

Welcome to Audi

Audi Freeway Plan | Motoring Peace of Mind

There can be no better motoring peace of mind than knowing that your car will be serviced, maintained and repaired, should this prove necessary, at no cost to you. Thanks to Audi Freeway Plan, that peace of mind could be yours.

The Audi Freeway Plan absorbs all maintenance and service costs, with the exception of between-service top-up fluids, fuel, cracked or broken glass, and tyres.

Recommended retail pricing is inclusive of an optional 5 year/100,000 km Audi Freeway Plan on all new Audi vehicles.

Top-up options to extend maintenance are available at extremely competitive rates. Audi has specially designed the Audi Freeway Plan for easy operation on the part of the owner. Making an appointment with any one of our approved Audi Servicing Dealers can effect regular servicing and maintenance as well as repairs (with the exception of accident damage).

All work is handled by the relevant service department, which will liaise directly with the Audi Freeway Plan Maintenance Unit. No extra effort or payment is required from the Audi owner. The Audi Freeway Plan is registered with the vehicle and as such is transferable to the new owner should the car be sold before the Audi Freeway Plan has expired, giving added resale value. The Audi Freeway Plan is available in addition to Audi's standard one-year/unlimited distance vehicle warranty. The Audi Freeway Plan is subject to certain exclusions, covers any repairs necessary after the expiry of the standard warranty.

Audi Assist | Emergency and Personal Assistance

Audi Assist is a programme whereby Audi of South Africa and its Dealer Network pledge to provide you with peace of mind motoring by providing the infrastructure to support a countrywide emergency service 24 hours a day, every day.

The programme is known as Audi Assist and operates within the borders of South Africa as well as Namibia and Botswana. The objective of the programme is to ensure on the spot roadside assistance offered by a fully equipped and trained Audi technician.

The primary focus is to get you mobile in your own vehicle. Where a roadside repair cannot be effected and the vehicle needs to be towed to the nearest Audi dealer, you and the occupants of the vehicle will be transported to a place of safety in the dealer's roadside assistance vehicle.

Contact details within South Africa:
086 043 4838

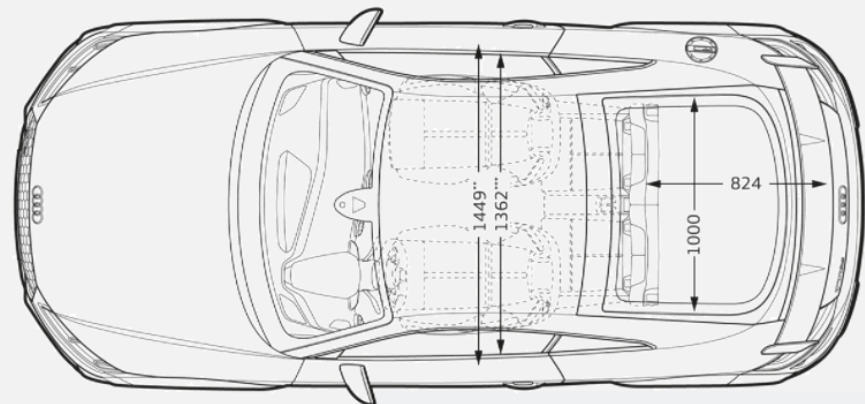
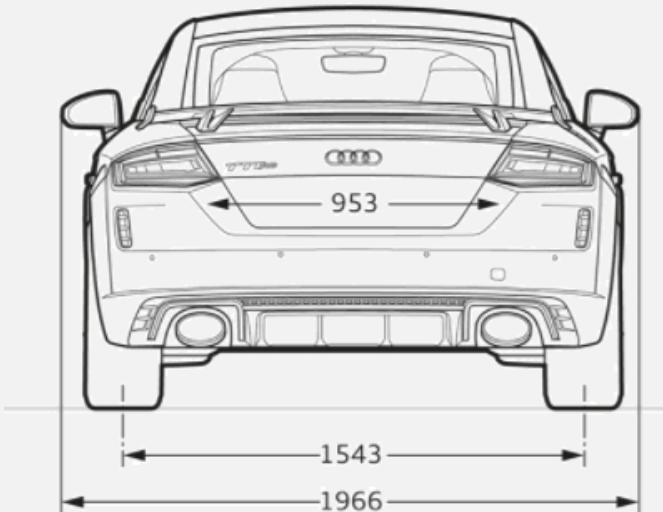
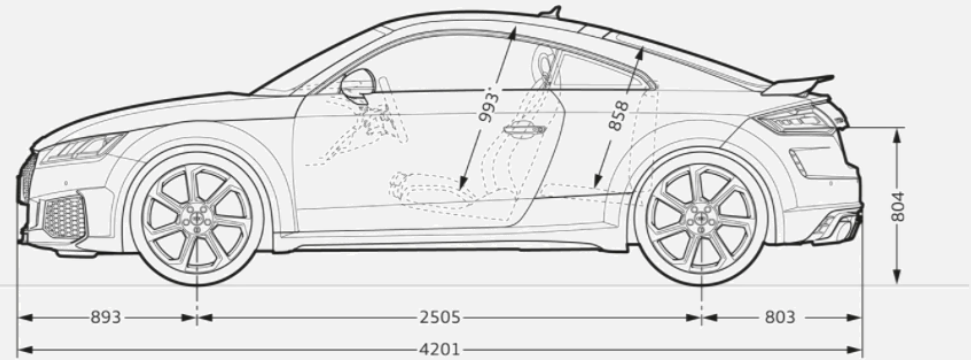
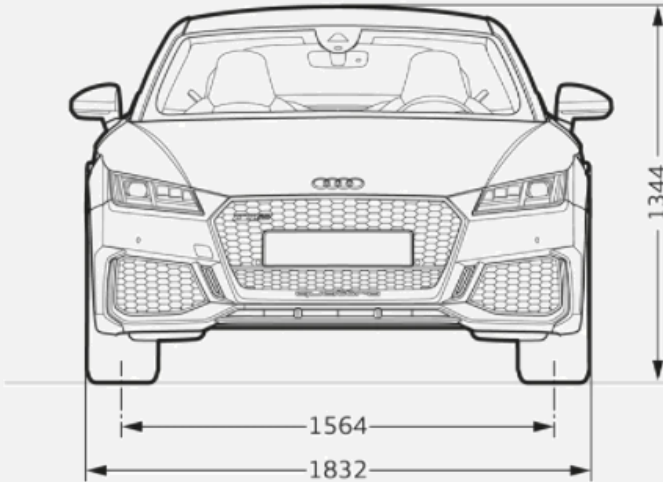
Contact details for neighbouring states:
+27 41 994 5616

24 hours a day, 7 days a week
Vehicle model and VIN number will be required.



TT RS Coupé dimensions

All the measurements you need

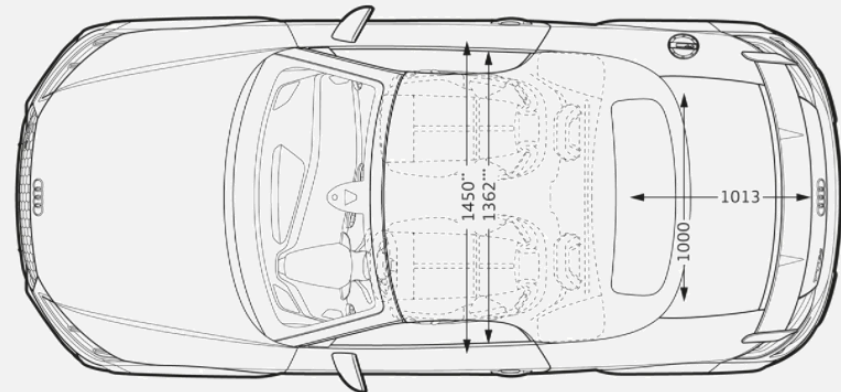
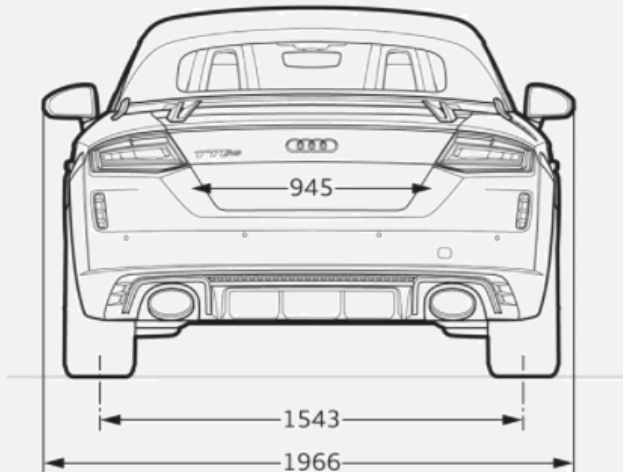
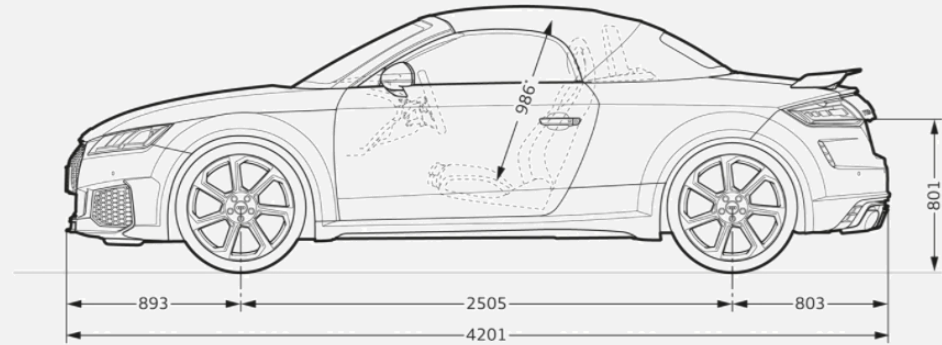
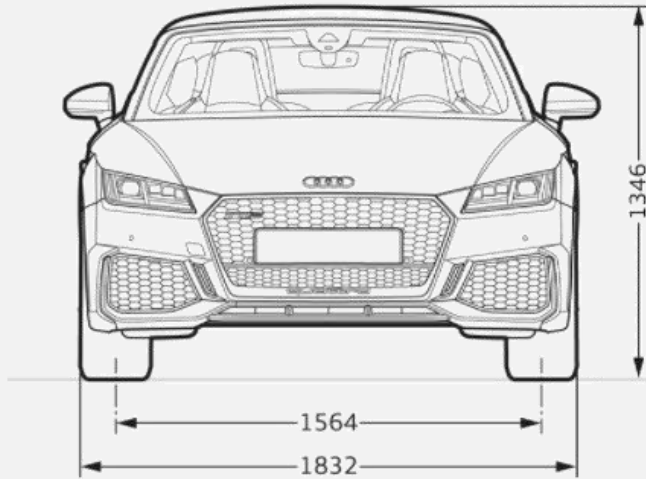


Luggage capacity = 305l



TT RS Roadster dimensions

All the measurements you need



Luggage capacity = 280l

TT RS



Information in this pricelist

We've done all we can to make the prices, specifications, technical details and all other information you see in this pricelist accurate at the time of publication. We reserve the right to change prices or specification at any time. All prices shown include VAT, which is currently charged at 15%. Recommended retail pricing is not binding on the dealer and is inclusive of an optional 5 year/100,000km Audi Freeway Plan.

Please check model availability and full specification details with your Audi Dealership prior to ordering. Neither Audi South Africa nor Audi Dealers can accept contractual responsibility for your reliance on the information contained in this pricelist. Performance figures and specifications relating to Audi vehicles are indicative only and performance cannot be guaranteed. Performance figures and specifications may be updated from time to time, when new test results or other information become available. Your local Audi Dealership can always provide you with the most up-to-date information available. Written and visual depictions (including photographs) of vehicles, are for illustrative purposes only and should not be relied upon. Some illustrations may not accurately reflect South African specifications (including paint and trim colours) and may not be available. If in doubt, always contact your local Audi Dealership.