

R8

Coupé &

Spyder

April 2024

The Audi R8 V10 performance



No other production car with the four rings is as powerful, fast or distinctive. The high-performance R8 sports car is designed for maximum dynamics in all technical areas. In the sports car world, the Audi R8 is right among the leaders in terms of its driving performance. This pricelist will make it easy for you to build your R8 Coupé or Spyder, taking you through all the model, engine and option choices. The online configurator is also available to build your dream car.



Engines and Pricing | R8

Engine	Fuel type	Transmission	Power output (kW)	Torque (Nm)	Fuel consumption (l/100 km)			CO ₂ emissions (g/km)	0 – 100 km/h (sec)	Top speed (km/h)	RRP*
					Urban	Extra urban	Combined				
R8 Coupé V10 performance quattro	Petrol	S tronic	449	560	20.0	9.6	13.4	314	3.2	330	R 3,613,800
R8 Spyder V10 performance quattro	Petrol	S tronic	449	560	20.0	9.6	13.4	314	3.2	330	R 3,890,800

Fuel consumption and CO₂ data applies to the German Market. The specified values are determined in accordance with certain test procedures. The specifications do not refer to an individual vehicle but serve only as a basis for comparing the different types of vehicles. In addition, the consumption figures achieved during normal driving may differ from the test values, depending in particular on special equipment fitted, vehicle loading, personal driving style, road and traffic conditions, environmental factors and conditions of the car.

* RRP is inclusive of VAT, CO₂ emissions tax and an optional 5 year/100,000km Audi Freeway Plan



Standard Equipment | R8 Coupé & Spyder V10 performance

Wheels:

- ▶ 20-inch Alloy wheels, 5-V-spoke Evo style, Matte Titanium Grey, diamond-turned
- ▶ 245/30 R20 90Y XL front tyres
- ▶ 305/30 R20 103Y XL rear tyres
- ▶ Ceramic brakes in front & rear with red brake calipers
- ▶ Tyre mobility system
- ▶ Tyre pressure monitoring system

Performance & suspension:

- ▶ Sports exhaust system
- ▶ R8 sports suspension

Exterior equipment:

- ▶ Black styling package with Audi Rings and badging in black
- ▶ Exterior mirror housings in gloss Carbon
- ▶ Exterior mirrors, power-adjustable, heated and power-folding, auto-dimming on both sides
- ▶ Fixed rear spoiler in gloss Carbon
- ▶ Side blades in gloss Carbon
- ▶ Wind deflector (Spyder only)

Interior equipment:

- ▶ Airbags with front passenger airbag deactivation
- ▶ Anti-theft alarm system
- ▶ Auto-dimming interior rearview mirror, frameless, with light/rain sensor
- ▶ Comfort automatic air conditioning system
- ▶ Comfort key
- ▶ Decorative inserts in gloss Carbon Twill
- ▶ Electrically and pneumatically adjustable seats, driver seat with memory feature
- ▶ Fine Nappa leather seat trim covers for R8 sports seats
- ▶ ISOFIX child seat anchors for front passenger seat
- ▶ Leather package
- ▶ Parking aid Plus with rear view camera system
- ▶ Pedals and foot rest in stainless steel
- ▶ R8 Performance leather-wrapped steering wheel with multifunction Plus and 3 control satellites
- ▶ R8 sports seats
- ▶ Seat heaters
- ▶ Side airbags in front and curtain airbag system
- ▶ Storage package

Lighting:















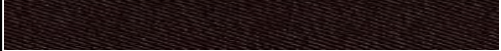
- ▶ High-beam assist
- ▶ LED headlamps & rear combination lamps with dynamic turn signal

Audio & communication:

- ▶ Audi phone box
- ▶ Audi smartphone interface
- ▶ Audi virtual cockpit
- ▶ Bang & Olufsen Sound System, with speakers integrated into the head restraint
- ▶ MMI Navigation plus with MMI touch



Paint | R8

Colour Code		Description	R8 Coupé	R8 Spyder
T9T9		Ibis White, solid	No cost	No cost
L1L1		Vegas Yellow, solid	No cost	No cost
9W9W		Ascari Blue, metallic	R 4,300	R 4,300
L5L5		Floret Silver, metallic	R 4,300	R 4,300
8R8R		Kemora Grey, metallic	R 4,300	R 4,300
0E0E		Myth Black, metallic	R 4,300	R 4,300
M1M1		Suzuka Grey, metallic	R 4,300	R 4,300
Y1Y1		Tango Red, metallic	R 4,300	R 4,300
6Y6Y		Daytona Grey, pearl	R 19,500	R 19,500
K6K6		Ara Blue, crystal	R 30,000	R 30,000
Q0Q0		Individual paint finish, Audi exclusive	R 81,000	R 81,000
O000		Individual matte paint finish, Audi exclusive	R 141,000	R 141,000
PA		Black top (Spyder only)	---	No cost
SF		Red top (Spyder only)	---	No cost
PW		Brown top (Spyder only)	---	No cost

Options are subject to availability and may extend time taken for delivery. All the colour swatches on this page are matched as accurately as possible to the actual paint colours used. Audi South Africa cannot guarantee that colours shown are 100% accurate. Visit your local Audi Centre for a more accurate colour swatch. *Audi exclusive paint is subject to factory approval. Visit your local Audi Centre for colour samples.



Wheels & tyres | R8

		R8 Coupé	R8 Spyder
40A	Audi Sport 20-inch Alloy wheels, 5-V-spoke Evo style, Matte Bronze, diamond-turned, 8.5J 11.0Jx20	No cost	No cost
52L	Audi Sport 20-inch Alloy wheels, 5-double-spoke dynamic style, Anthracite Black, diamond-turned, 8.5J 11.0Jx20	R 34,000	R 34,000

20"



Standard



40A



52L



Optional extras | R8

Equipment packages:		R8 Coupé	R8 Spyder
5L4	Gloss carbon styling package Front spoiler, side sill inserts and rear diffuser insert in gloss carbon	R 150,000	R 150,000
Exterior equipment:			
6H5	Side blades in Kendo Grey	No cost	No cost
6H6	Side blades in Myth Black Metallic	No cost	No cost
NM5	Engine cover in gloss carbon	R 77,300	R 77,300
Lighting technology:			
PXF	LED headlamps with Audi laser light, dark-tinted glass with dynamic turn signal with low beam, additional laser high beam, daytime running lights, front indicator light with dynamic display and static cornering light in LED technology. Has a minimal energy requirement, long service life and easily visible by other road users. The laser spot supplements the LED high beam from a speed of 60 km/h and gives the driver great visibility and safety due to the long range.	R 64,500	R 64,500



Optional extras | R8

<u>Interior equipment:</u>		R8 Coupé	R8 Spyder
N1H	Fine Nappa leather seat trim covers with diamond stitching for R8 sport seats	No cost	No cost
5TL	Decorative inserts in Black Piano Lacquer look	No cost	No cost
5MN	Decorative inserts in Matte Carbon Twill	R 2,900	---
GT5	Extended decorative inserts in Glossy Carbon Twill	---	R 2,900
9JC	Cigarette lighter and ashtray	R 1,000	R 1,000
7HD	Full leather package	R 60,000	R 60,000
<u>Lighting technology:</u>			
PC7	Ceramic brakes with brake calipers in gloss blue	No cost	No cost
2MN	Audi magnetic ride Improvement of driving comfort and driving dynamics through driving condition-dependent regulation of the damper forces; adaptive damper system with three suspension settings (auto / comfort / dynamic), adjustable via Audi drive select.	R 35,000	R 35,000
1N8	Dynamic steering Increases driving dynamics and driving comfort through more direct steering behavior (on winding country roads or when turning) and through reduced steering effort when parking and maneuvering; impressive driving characteristics thanks to a steering ratio that depends on the steering angle and speed-dependent steering assistance.	R 27,000	R 27,000



Important information

Welcome to Audi

Audi Freeway Plan | Motoring Peace of Mind

There can be no better motoring peace of mind than knowing that your car will be serviced, maintained and repaired, should this prove necessary, at no cost to you. Thanks to Audi Freeway Plan, that peace of mind could be yours.

The Audi Freeway Plan absorbs all maintenance and service costs, with the exception of between-service top-up fluids, fuel, cracked or broken glass, and tyres.

Recommended retail pricing is inclusive of an optional 5 year/100,000 km Audi Freeway Plan on all new Audi vehicles.

Top-up options to extend maintenance are available at extremely competitive rates. Audi has specially designed the Audi Freeway Plan for easy operation on the part of the owner. Making an appointment with any one of our approved Audi Servicing Dealers can effect regular servicing and maintenance as well as repairs (with the exception of accident damage).

All work is handled by the relevant service department, which will liaise directly with the Audi Freeway Plan Maintenance Unit. No extra effort or payment is required from the Audi owner. The Audi Freeway Plan is registered with the vehicle and as such is transferable to the new owner should the car be sold before the Audi Freeway Plan has expired, giving added resale value. The Audi Freeway Plan is available in addition to Audi's standard one-year/unlimited distance vehicle warranty. The Audi Freeway Plan is subject to certain exclusions, covers any repairs necessary after the expiry of the standard warranty.

Audi Assist | Emergency and Personal Assistance

Audi Assist is a programme whereby Audi of South Africa and its Dealer Network pledge to provide you with peace of mind motoring by providing the infrastructure to support a countrywide emergency service 24 hours a day, every day.

The programme is known as Audi Assist and operates within the borders of South Africa as well as Namibia and Botswana. The objective of the programme is to ensure on the spot roadside assistance offered by a fully equipped and trained Audi technician.

The primary focus is to get you mobile in your own vehicle. Where a roadside repair cannot be effected and the vehicle needs to be towed to the nearest Audi dealer, you and the occupants of the vehicle will be transported to a place of safety in the dealer's roadside assistance vehicle.

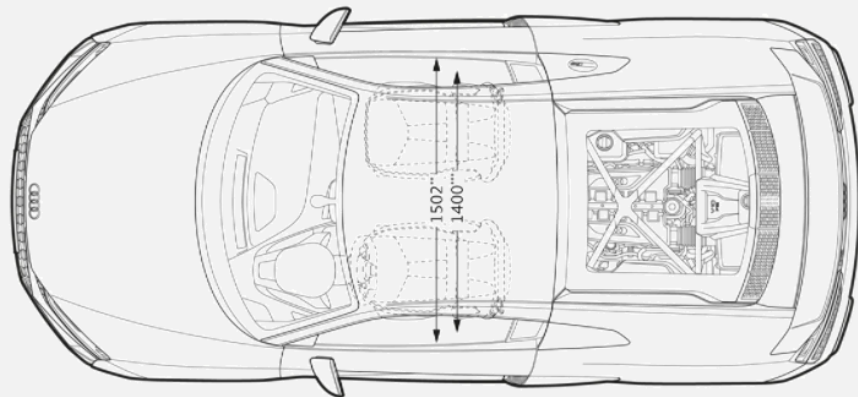
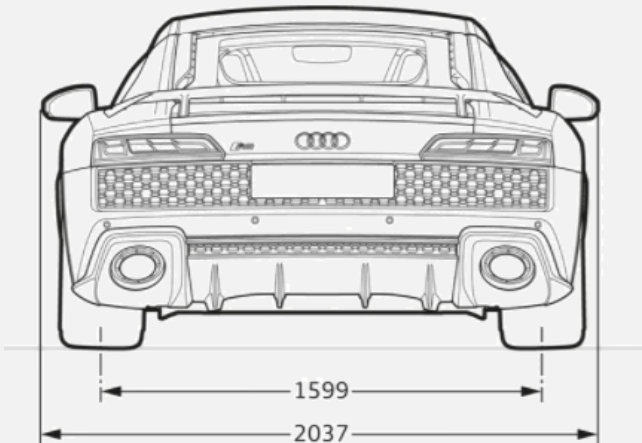
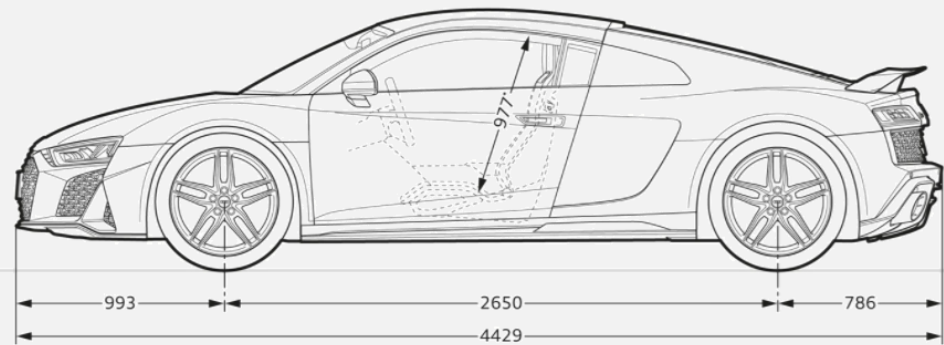
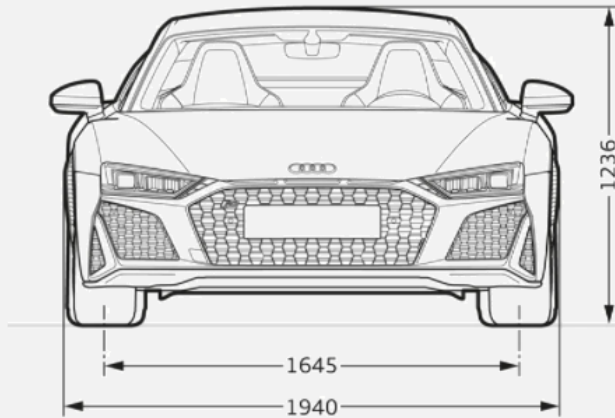
Contact details within South Africa:
086 043 4838

Contact details for neighbouring states:
+27 41 994 5616

24 hours a day, 7 days a week
Vehicle model and VIN number will be required.

R8 Coupé dimensions

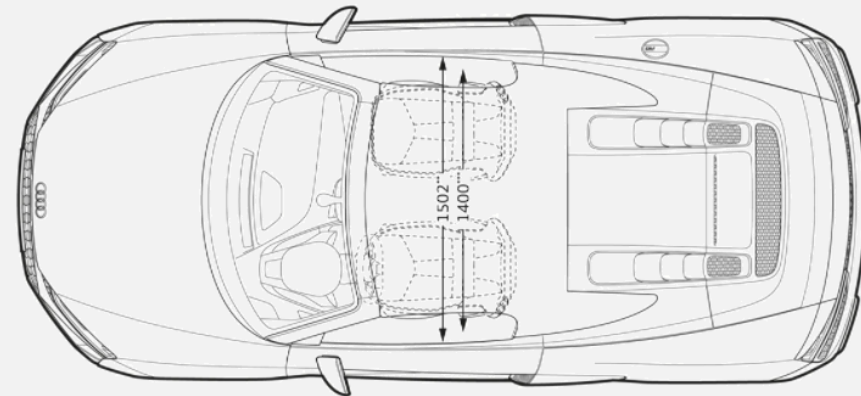
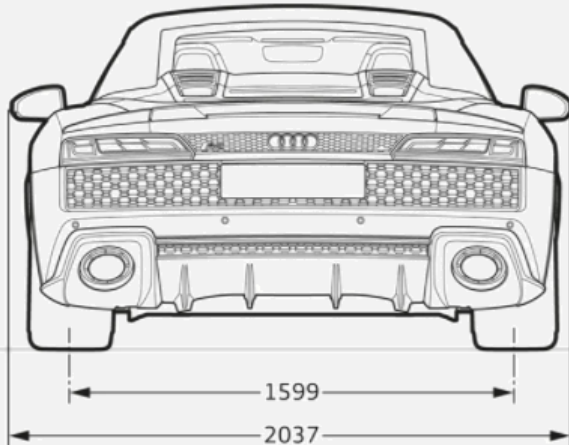
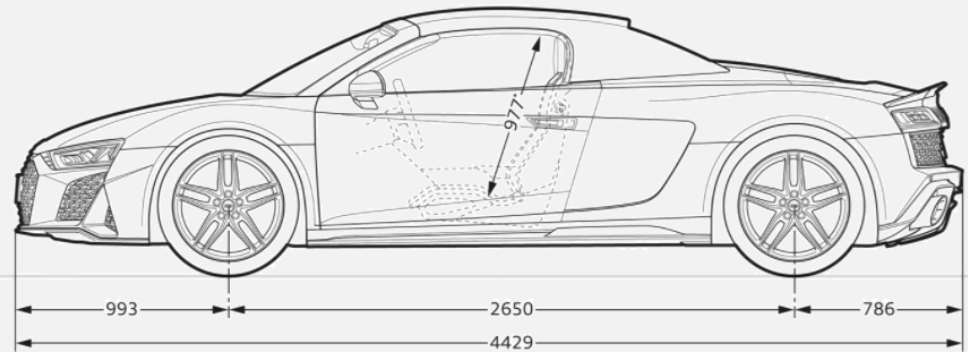
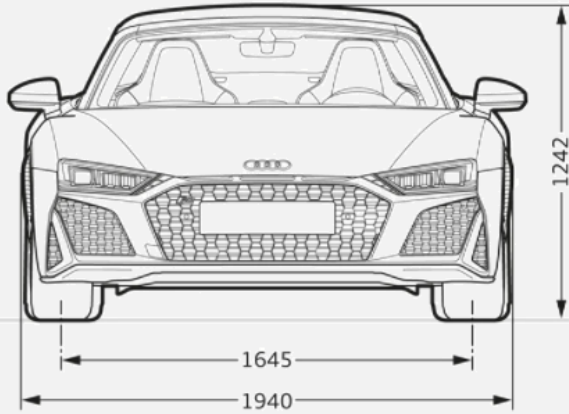
All the measurements you need





R8 Spyder dimensions

All the measurements you need



Luggage capacity = 112l

R8



Information in this pricelist

We've done all we can to make the prices, specifications, technical details and all other information you see in this pricelist accurate at the time of publication. We reserve the right to change prices or specification at any time. All prices shown include VAT, which is currently charged at 15%. Recommended retail pricing is not binding on the dealer and is inclusive of an optional 5 year/100,000km Audi Freeway Plan.

Please check model availability and full specification details with your Audi Dealership prior to ordering. Neither Audi South Africa nor Audi Dealers can accept contractual responsibility for your reliance on the information contained in this pricelist. Performance figures and specifications relating to Audi vehicles are indicative only and performance cannot be guaranteed. Performance figures and specifications may be updated from time to time, when new test results or other information become available. Your local Audi Dealership can always provide you with the most up-to-date information available. Written and visual depictions (including photographs) of vehicles, are for illustrative purposes only and should not be relied upon. Some illustrations may not accurately reflect South African specifications (including paint and trim colours) and may not be available. If in doubt, always contact your local Audi Dealership.