

RS Q3 |

RS Q3 Sportback

April 2024

The Audi RS Q3 & RS Q3 Sportback.

With the first RS Q3 pioneering the segment, the Audi RS Q3 has become synonymous with strength and outstanding performance. Virtues that are also reflected in the design. Now with the offering of the all-new Audi RS Q3 Sportback, a progressive SUV coupe crossover, Audi is once more a trendsetter. With this machine, performance and design leaves you breathless.

This pricelist will make it easy for you to build your RS Q3 & RS Q3 Sportback, taking you through all the option choices. The online configurator is also available to build your dream car.



Note: vehicle depicted may contain equipment not currently available for the South African market.



Engines

Engine	Capacity	Fuel type	Transmission	Power output (kW)	Torque (Nm)	Fuel consumption (l/100 km)			CO ₂ emissions (g/km)	0 – 100 km/h (sec)	Top speed (km/h)	RRP*
						Urban	Extra urban	Combined				
RS Q3	2480	Petrol	S tronic	294	480	11.9	7.4	9.1	212	4.5	250	R 1,309,500
RS Q3 Sportback	2480	Petrol	S tronic	294	480	11.9	7.5	9.1	213	4.5	250	R 1,348,800

Fuel consumption and CO₂ data applies to the German Market. The specified values are determined in accordance with certain test procedures. The specifications do not refer to an individual vehicle but serve only as a basis for comparing the different types of vehicles. In addition, the consumption figures achieved during normal driving may differ from the test values, depending in particular on special equipment fitted, vehicle loading, personal driving style, road and traffic conditions, environmental factors and conditions of the car.

* RRP is inclusive of VAT, CO₂ emissions tax and an optional 5 year/100,000km Audi Freeway Plan



Standard Equipment | RS Q3

Wheels:

- ▶ Alloy wheels, 5-arm Trigon style, 8.5J x 21, 255/35 R21 tyres
- ▶ Anti-theft wheel bolts
- ▶ Tyre pressure monitoring system

Exterior equipment:

- ▶ Black roof rails (n/a for RS Q3 Sportback)*
- ▶ Exterior mirror housings in black*
- ▶ Exterior mirrors power adjustable & heated
- ▶ Black styling package*
- ▶ Rear fog lamps
- ▶ Parking aid Plus
- ▶ RS bumpers
- ▶ Rear spoiler in body color
- ▶ Front spoiler **blade, side blades, inlay for the door attachment strips and diffuser insert in gloss black**

Interior equipment:

- ▶ Rear view camera system
- ▶ RS engine sound in the vehicle interior
- ▶ RS scuff plates
- ▶ Interior in aluminum look
- ▶ Auto-dimming interior rearview mirror, frameless
- ▶ Comfort centre armrest in front
- ▶ 2-zone climate control system
- ▶ Decorative inserts "Aluminium Race", Anthracite
- ▶ Fine Nappa Leather package with honeycomb stitching
- ▶ First aid kit and warning triangle
- ▶ Floor mats in front and rear
- ▶ Headliner in Black fabric
- ▶ Head restraints in front
- ▶ 3 head restraints in rear
- ▶ ISOFIX child seat anchors and top tether for outer rear seats
- ▶ ISOFIX child seat anchors for front passenger seat
- ▶ Power front seats
- ▶ Sports contour leather-wrapped steering wheel with multifunction Plus, 3-spoke, shift paddles, flat-bottomed
- ▶ Sports seats Plus in front
- ▶ Seat heaters in front
- ▶ Stainless steel load edge protection

Interior equipment: cont..

- ▶ Pedals and foot rest in stainless steel
- ▶ Luggage compartment lid, electrically opening and closing
- ▶ Rear bench seat Plus with center armrest and beverage holder
- ▶ Side airbags in front and curtain airbag system
- ▶ Driver and front passenger airbag with front passenger airbag deactivation
- ▶ 4-way lumbar support for the front seats
- ▶ Accent surfaces painted in Gloss Black
- ▶ Tool kit
- ▶ Non-smoker's package
- ▶ Child safety lock, electrically actuated
- ▶ Anti theft alarm system



Standard Equipment | RS Q3 (cont...)

Lighting:

- ▶ Headlamp washer system
- ▶ Headlight range control
- ▶ Matrix LED headlamps with dynamic turn signal
- ▶ LED rear combination lamps
- ▶ Light/rain sensor
- ▶ Separate daytime running lights
- ▶ Ambient lighting package plus

Audio & communication:

- ▶ Audi smartphone interface
- ▶ Audi connect Navigation & Infotainment
- ▶ SONOS premium sound system with 3D sound
- ▶ Audi virtual cockpit Plus
- ▶ MMI Navigation plus with MMI touch
- ▶ Bluetooth interface

Performance, suspension & assistance systems:

- ▶ Audi drive select
- ▶ Lane departure warning
- ▶ Parking aid Plus
- ▶ Audi pre sense basic
- ▶ Start/stop system with regenerative braking
- ▶ Cruise control system with speed limiter
- ▶ Electronic Stability Control (ESC)
- ▶ Hill hold assist
- ▶ Hill descent control
- ▶ RS sports suspension
- ▶ RS sports exhaust system



Paint | RS Q3

			RS Q3	RS Q3 Sportback
T3T3		Nardo Grey	No Cost	No Cost
Z9Z9		Arkona White	No Cost	No Cost
N6N6		Turbo Blue	R 2,620	R 2,620
7R7R		Kyalami Green	R 2,620	R 2,620
2Y2Y		Glacier White Metallic	R 2,620	R 2,620
0E0E		Mythos Black Metallic	R 2,620	R 2,620
B1B1		Progressive red, metallic	R 2,620	R 2,620
6Y6Y		Daytona Grey Pearlescent	R 12,810	R 12,810
Q0Q0		Individual paint finish, Audi exclusive	R 43,200	R 43,200
0000		Matte paint finish, Audi exclusive	R 80,000	R 80,000



Wheels & tyres | RS Q3

		RS Q3	RS Q3 Sportback
53D	Alloy wheels, 5-arm Trigon style, 8.5J x 21, 255/35 R21 tires	S	S
53B	Alloy wheels, 5-arm Trigon style, Anthracite Black, diamond-turned, 8.5J x 21, 255/35 R21 tires	R 6,300	R 6,300
42V	Alloy wheels, 5-V-spoke polygon style, Black, 8.5J x 21, 255/35 R21 tires	R 6,300	R 6,300
42W	Alloy wheels, 5-V-spoke polygon style, Titanium Gray, diamond-turned, 8.5J x 21, 255/35 R21 tires	R 6,300	R 6,300
45I	Alloy wheels, 5-V-spoke polygon style, Matte Bronze, 8.5J x 21, 255/35 R21 tires	R 3,500	R 3,500

21"



Standard 53D



53B



42V



42W



45I



Optional extras | RS Q3

Equipment packages:		RS Q3	RS Q3 Sportback
4ZP	Black Appearance package Plus Audi rings at the front and rear and RS Q3 lettering in the radiator grille and on the boot lid in gloss black. Only available in conjunction with PAH at additional cost.	R5,800	R5,800
PDB	Aluminium Styling Package The aluminium styling package replaces the standard Black Styling Package and includes: <ul style="list-style-type: none"> - exterior mirror housings in aluminium look - front spoiler in sporty dynamic design; at front with large air inlets in black and front spoiler blade, side blades, inlays on the door trim strips and diffuser insert in matt aluminium look - gloss package with roof frame, window slot trims and roof rails in anodised aluminium as well as exterior B and C-pillar trim in gloss black -Roof rails in aluminium (SUV only) 	No cost	No cost
PEI	RS Styling package, blue <ul style="list-style-type: none"> -Seat belts with a blue border -Steering wheel rim in Alcantara black with contrasting stitching in ara blue -Selector lever knob in Alcantara black, selector lever sleeve in leather black with contrasting stitching in ara blue -Floor mats in black with contrasting stitching in ara blue and RS lettering 	R 17,400	R 17,400
PEF	RS Styling package, red <ul style="list-style-type: none"> Seat belts with a red border Steering wheel rim in Alcantara black with contrasting stitching in express red Selector lever knob in Alcantara black, selector lever sleeve in leather black with contrasting stitching in express red Floor mats in black with contrasting stitching in express red and RS lettering 	R 17,400	R 17,400



Optional extras | RS Q3

Equipment packages:		RS Q3	RS Q3 Sportback
PDE	<p>Adaptive chassis control with Audi drive select Choose more performance, more comfort, or an individual combination of the two. Each mode gives the systems characteristic settings. In conjunction with MMI navigation plus including Audi drive select, modes RS 1/RS 2 can be selected directly via the RS button on the steering wheel.</p> <ul style="list-style-type: none"> • with regulated shock absorbers for electronically regulated adaptation to different driving situations • different modes can be set via Audi drive select • Front axle with McPherson struts 	R18,900	R18,900
QE1	<p>Storage and Luggage Compartment package for flexible transport of objects and comfort when traveling; consisting of:</p> <ul style="list-style-type: none"> • Storage net on the back of the front seats • Storage compartment under the passenger seat • two flat luggage compartment spotlights (LED) in the tailgate to illuminate the luggage compartment • Luggage compartment tray in side panel • Luggage compartment net • 12-volt socket in the trunk in the left side panel 	R 3,680	R 3,680
6Y4	Top speed increased to 280 km/h	R28,900	R28,900



Optional extras | RS Q3

Exterior equipment:		RS Q3	RS Q3 Sportback
1M6	Trailer hitch	R 11,030	R 11,030
6FQ	Carbon exterior mirror housings	R 9,500	R 9,500
6XK	Exterior mirrors, power-adjustable, heated and power-folding, auto-dimming on both sides	R5,700	R5,700
3FU	Panoramic glass sunroof	R20,480	R20,480
Interior equipment:			
4X4	Side airbags in rear	R6,800	R6,800
KH5	3-zone climate control system	R5,700	R5,700
5TL	Decorative inserts in Black Piano Lacquer, Audi exclusive	R2,000	R2,000
5MB	Decorative inserts in Carbon Twill	R 5,800	R 5,800
7B6	12-V outlet and 2 USB ports in rear compartment	R1,500	R1,500



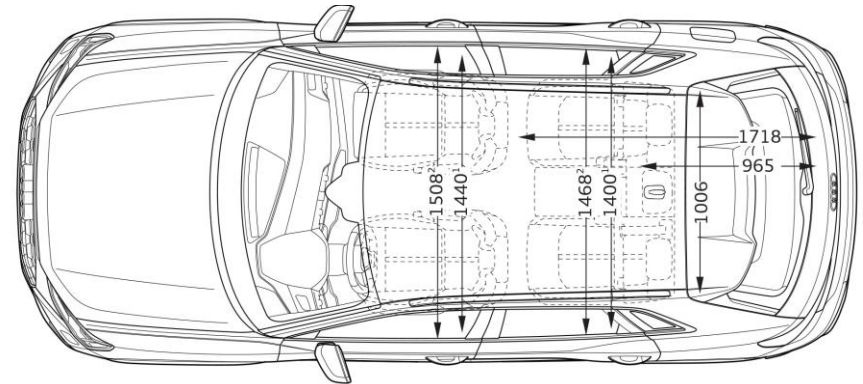
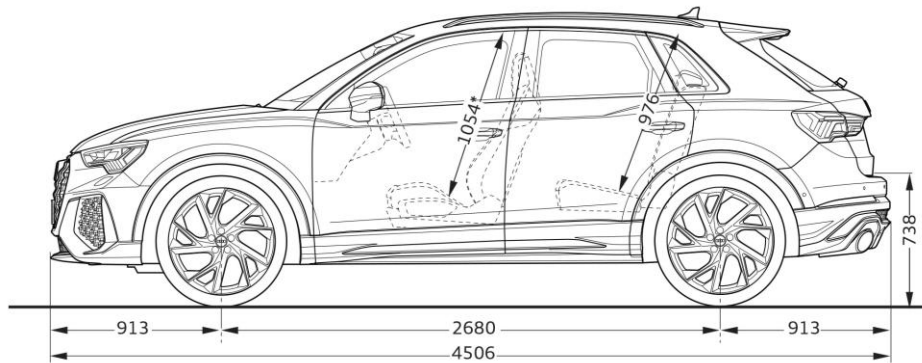
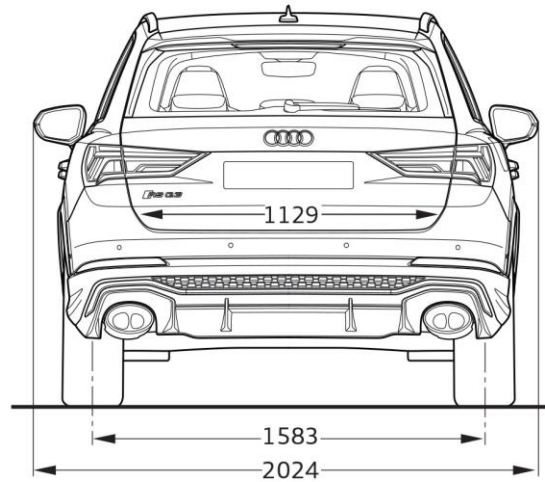
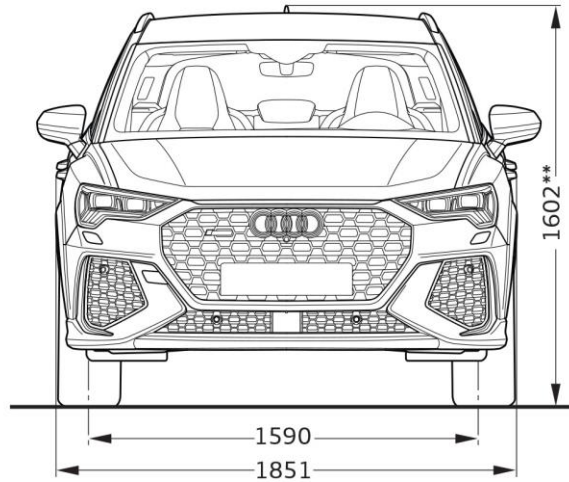
Optional extras | RS Q3

Infotainment and assistance systems:		RS Q3	RS Q3 Sportback
9ZE + GB1	Audi phone box Make and receive calls while on the move with outstanding signal quality thanks to coupling with the vehicle's exterior aerial. Excellent voice quality thanks to LTE support. Wireless charging of compatible smartphones. Enabling you to stay in touch at all times, even when on the road.	R5,670	R5,670
PCG	Adaptive cruise control Maintains speed and distance to the vehicle in front; Audi pre sense warns when critical driving situations are detected and reduces the risk of collision. With the help of a radar sensor, it detects vehicles driving ahead within the system limits and keeps the speed and distance within the control range largely constant. The control range is 0 to 200 km / h. In stop & go traffic, vehicles can brake to a standstill and, under certain conditions, start again automatically. Operation is via a separate steering column stalk. The distance can be set in five stages, the dynamics of the system can be regulated via Audi drive select or the ACC menu.	R 13,300	R 13,300
7Y1	Lane change assistant It's easy to miss vehicles in your blind spot. In these cases, the system warns, within system limits, of critical situations involving vehicles approaching from behind. In connection with the parking system plus or park assist, the system also warns of possible collisions when getting out and when reverse parking.	R 11,300	R 11,300
6I2	Adaptive cruise assist Adaptive cruise assist combines the functionality of adaptive cruise control with active lane assist. Adaptive cruise assist helps accelerate, brake and maintain speed and distance as well as stay in lane. This can increase driving comfort, especially on long journeys. Only available in conjunction with PCG at additional cost.	R800	R800
KA6	360-degree cameras The four wide-angled cameras cover the entire area immediately around the vehicle and enable a variety of different views for even more comfortable maneuvering. The driver can choose different views in the MMI display so that the vehicle can be positioned more easily in the parking space.	R 7,500	R 7,500



Audi RS Q3 Dimensions

All the measurements you need



¹ Breite Schulterraum / Shoulder width

² Breite Ellbogenraum / Elbow width

* maximaler Kopfraum / Maximum headroom

** ohne Dachantenne verringert sich der Fahrzeughöhe um 31 mm

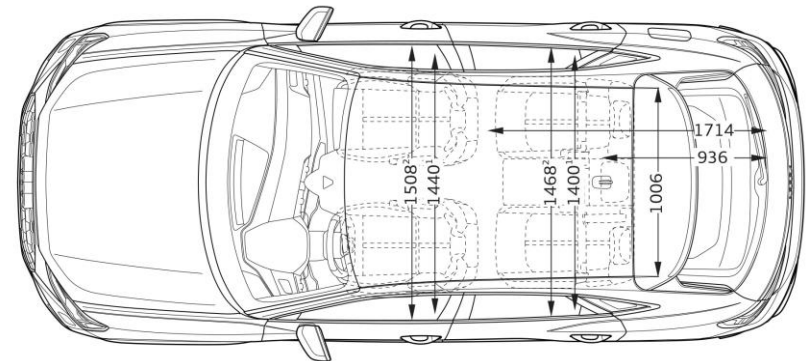
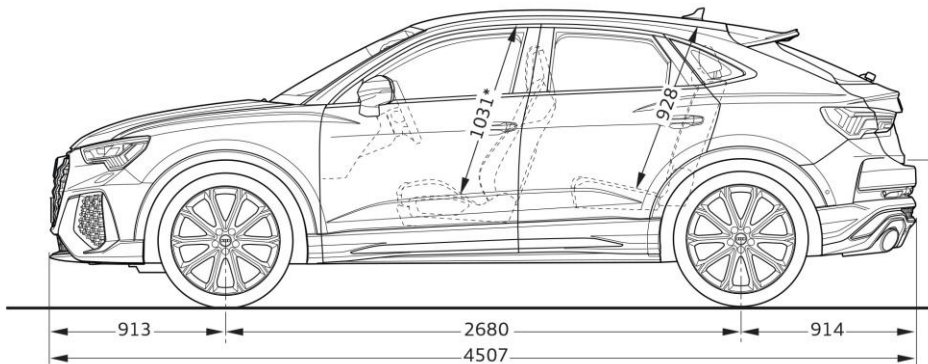
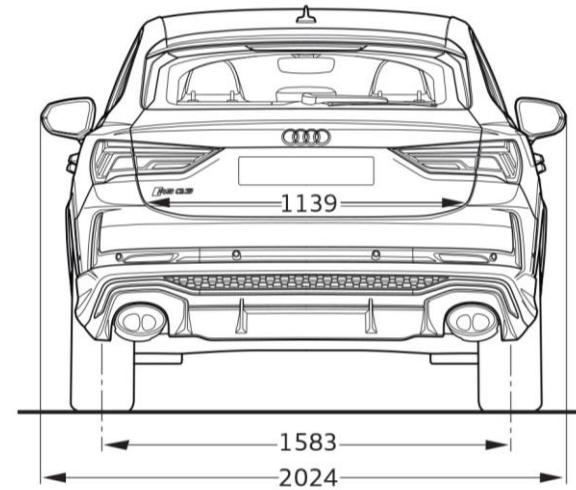
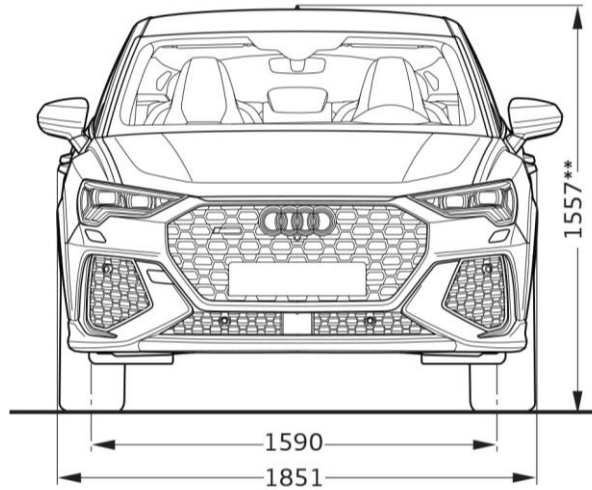
** The vehicles height without the roof aerial reduces by 31 mm

Angaben in Millimeter / Dimensions in millimeters

Angabe der Abmessungen bei Fahrzeugleergewicht / Dimensions of vehicle unloaded



Audi RS Q3 Sportback Dimensions All the measurements you need



- ¹ Breite Schulterraum / Shoulder width
- ² Breite Ellbogenraum / Elbow width
- maximaler Kopfraum / Maximum headroom
- ohne Dachantenne verringert sich der Fahrzeughöhe um 31 mm
- The vehicles height without the roof aerial reduces by 31 mm
- Angaben in Millimeter / Dimensions in millimeters
- Angabe der Abmessungen bei Fahrzeuleergewicht / Dimensions of vehicle unloaded

RS Q3



Information in this pricelist

We've done all we can to make the prices, specifications, technical details and all other information you see in this pricelist accurate at the time of publication. We reserve the right to change prices or specification at any time. All prices shown include VAT, which is currently charged at 15%. Recommended retail pricing is not binding on the dealer and is inclusive of an optional 5 year/100,000km Audi Freeway Plan.

Please check model availability and full specification details with your Audi Dealership prior to ordering. Neither Audi South Africa nor Audi Dealers can accept contractual responsibility for your reliance on the information contained in this pricelist. Performance figures and specifications relating to Audi vehicles are indicative only and performance cannot be guaranteed. Performance figures and specifications may be updated from time to time, when new test results or other information become available. Your local Audi Dealership can always provide you with the most up-to-date information available. Written and visual depictions (including photographs) of vehicles, are for illustrative purposes only and should not be relied upon. Some illustrations may not accurately reflect South African specifications (including paint and trim colours) and may not be available. If in doubt, always contact your local Audi Dealership.