



**RS e-tron GT**

October 2023

# The Audi RS e-tron GT

The sculptural design of the Audi RS e-tron GT combines the dynamic proportions of a Gran Turismo the unmistakable characteristics of an Audi RS model. The lines are pure and precise flat, wide silhouette. Striking accents are set at the power centers. Thus, the low center of gravity of the vehicle is emphasized by the sills and the long wheelbase visible. The strongly modeled shoulder line and the concise rear diffuser appear powerful and distinctive. The gently sloping roof line, which is drawn far back, gives the Audi RS e-tron GT a look even when it is stationary forward-striving dynamism.

This pricelist will make it easy for you to build your RS e-tron GT, taking you through all the model and option choices. The online configurator is also available to build your dream car.





## Models

Models	Battery (kW)	Power output (kW)	Torque (Nm)	Electric Consumption combined (WLTP) (kWh/100 km)	CO <sub>2</sub> emissions (g/km)	Electric range** Combined (WLTP) (km)	0 – 100 km/h (sec)	Top speed (km/h)	RRP*
RS e-tron GT quattro	93	440	830	22.5 – 20.6	0	433- 472	3.3	250	R 3,527,400

Fuel consumption and CO<sub>2</sub> data applies to the German Market. The specified values are determined in accordance with certain test procedures. The specifications do not refer to an individual vehicle but serve only as a basis for comparing the different types of vehicles. In addition, the consumption figures achieved during normal driving may differ from the test values, depending in particular on special equipment fitted, vehicle loading, personal driving style, road and traffic conditions, environmental factors and conditions of the car.

RRP is inclusive of VAT, CO<sub>2</sub> emissions tax and an optional 5 year/100,000km Audi Freeway Plan

\*\* Figures depend on the equipment selected



## Standard Equipment: RS e-tron GT

### Wheels

- ▶ Anti-theft wheel bolts
- ▶ Space-saving spare wheel
- ▶ Tyre pressure monitoring system
- ▶ Tyres 265/35 R21 101Y in front tyres 305/30 R21 104Y in rear
- ▶ Wheels, 10-spoke trapezoidal module style, Matte Titanium grey, diamond-turned, 9.5J|11.5J x 21, 265/35|305/30 R21 tyres
- ▶ Ceramic brakes, red calipers

### Interior equipment

- ▶ 3-point seat belts in front, with manual height adjustment
- ▶ 3-zone climate control system
- ▶ Contour ambient lighting package (multi-colour)
- ▶ Anti-theft alarm system
- ▶ Auto-dimming interior rearview mirror, frameless
- ▶ Decorative inserts in graphite grey fine paint
- ▶ Driver and front passenger airbag with front passenger airbag deactivation
- ▶ Electric steering wheel adjustment
- ▶ First aid kit with warning triangle and safety vests
- ▶ Headliner in Black fabric
- ▶ ISOFIX child seat anchors and i-Size for outer rear seats with top tether for all rear seats
- ▶ Power front seats with memory feature for the driver
- ▶ Seat heaters in front
- ▶ Stationary air conditioning
- ▶ Sun visor on driver and front passenger side
- ▶ Three rear seats
- ▶ Upper and lower interior elements in leatherette
- ▶ Dinamica® microfiber/leatherette combination upholstery

- ▶ Pedal cluster in stainless steel
- ▶ Sports contour leather-wrapped multifunction plus steering wheel, 3-spoke, heated, flat-bottomed with shift paddles
- ▶ Sports seats plus in front

### Safety & Convenience

- ▶ 360-degree cameras
- ▶ Comfort key with sensor-controlled luggage compartment release
- ▶ Lane departure warning
- ▶ Head-up display
- ▶ Lane change assistant with exit warning system and rear cross traffic assist
- ▶ Intelligent park assist (including parking aid plus)
- ▶ Service indicator 30 000 km or 2 years (fix) electric vehicle
- ▶ Side airbags in front and rear and curtain airbag system

### Performance & suspension

- ▶ Cruise control system with speed limiter
- ▶ e-tron sports sound
- ▶ quattro with controlled rear differential lock
- ▶ Adaptive air suspension

### Audio & Communication

- ▶ Audi connect Emergency Call & Service
- ▶ Audi connect Navigation & Infotainment
- ▶ Audi phone box
- ▶ Audi smartphone interface
- ▶ Bang & Olufsen premium sound system with 3D sound
- ▶ MMI Navigation plus with MMI touch



## Standard Equipment: RS e-tron GT

### Lighting

- ▶ Matrix LED headlamps with Audi laser light, dynamic lighting scheme and dynamic turn signal
- ▶ LED rear combination lamps with dynamic lighting scheme and dynamic turn signal

### Exterior equipment








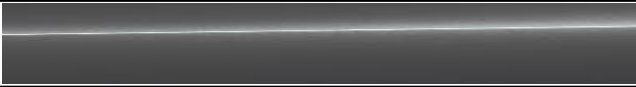


- ▶ Black decorative trims
- ▶ Exterior mirror housings in body colour
- ▶ Exterior mirrors, power-adjustable, heated and power-folding, auto-dimming on both sides, with memory feature
- ▶ Panoramic glass sunroof
- ▶ Rear window, rear door windows and side windows in clear glass
- ▶ Scuff plates with aluminum inserts in front and rear
- ▶ Side and rear windows with heat-reflecting glass
- ▶ Singleframe in Hekla grey
- ▶ Windshield with heat-insulating glass and acoustic glass

### Electric specifications





- ▶ 400-Volt boost converter
- ▶ e-tron charging system "compact"
- ▶ High-voltage battery 93 kWh (gross)
- ▶ Household plug Type M (South Africa) for the e-tron charging system
- ▶ Industrial plug CEE 32 A, 400 V, long and straight, for the e-tron charging system
- ▶ On-board charger 22kW (AC)
- ▶ Mode 3 charging cable for public charging 22 kW (AC)
- ▶ Second charging access
- ▶ Vehicle charging cable
- ▶ Vehicle inlet CCS type 2
- ▶ Wall bracket

# RS e-tron GT



Paint			RS e-tron GT
9W9W		Ascar Blue Metallic	No cost
L5L5		Floret Silver Metallic	No cost
8R8R		Kemora Grey Metallic	No cost
0E0E		Myth Black Metallic	No cost
M1M1		Suzuka Grey Metallic	No cost
V0V0		Tactics Green Metallic	No cost
Y1Y1		Tango Red Metallic	No cost
6Y6Y		Daytona Gray Pearlescent	No cost
T9T9		Ibis White	No cost
Q0Q0		Individual paint finish, Audi exclusive	R88,000



Wheels & Tyres			RS e-tron GT
47L		Wheels, 10-spoke trapezoidal module style, Platinum grey, diamond-turned, 9.5J 11.5J x 21, 265/35 305/30 R21 tyres	No cost
47J		Wheels, 10-spoke trapezoidal module style, Black, diamond-turned, 9.5J 11.5J x 21, 265/35 305/30 R21 tyres	No cost
54C		Wheels, 10-spoke trapezoidal module style, Matte Titan. grey, diamond-turned, 9.5J 11.5J x 21, 265/35 305/30 R21 tyres	Std
44I		Wheels, 5-double-spoke concave module style with graphic print, Black, 9.5J 11.5J x 21, 265/35 305/30 R21 tyres	R15,100

# RS e-tron GT



Optional equipment		RS e-tron GT
<b>Styling packages</b>		
5L3	<b>Appearance package in Glossy Carbon</b> Side air ducts, front, inlays in the door trim strips and horizontal bar in the rear diffuser in gloss carbon. Only in conjunction with black styling package (4ZD) or black styling package plus (4ZP).	R86,400
4ZP	<b>Black Appearance package Plus</b> The black styling package plus includes: · Singleframe mask, lower section of the front and rear bumpers, side sills with inlay in the door trim strips and diffuser in gloss black · Audi rings and logos in gloss black Forces Singleframe in body colour or black	R32,000
4ZD	<b>Black Styling package</b> The black styling package includes: · Singleframe mask, lower section of the front and rear bumpers, side sills with inlay in the door trim strips and diffuser in gloss black · Audi rings and logos in chrome	R26,100
PEG	<b>RS Styling package, Grey</b> The RS design package, grey for sport seats pro, front comprises: · either sport contour steering wheel in Alcantara <sup>2</sup> , black with contrasting stitching in steel grey or sport contour leather steering wheel in black with contrasting stitching in steel grey · upper part of instrument panel, door rails, door armrests and lower part of centre console in fine Nappa leather, black with contrasting stitching in steel grey · instrument panel cover, door trim inserts and upper part of centre console in Dinamica microfibre <sup>3</sup> , black with contrasting stitching in steel grey on the instrument panel cover · seat belts in grey · floor mats in black with contrasting stitching in steel grey	R38,200
PEF	<b>RS Styling package, Red</b> The RS design package, red for sport seats pro, front comprises: · either sport contour steering wheel in Alcantara <sup>2</sup> , black with contrasting stitching in express red or sport contour leather steering wheel in black with contrasting stitching in express red · upper part of instrument panel, door rails, door armrests and lower part of centre console in fine Nappa leather, black with contrasting stitching in express red · instrument panel cover, door trim inserts and upper part of centre console Dinamica microfibre <sup>3</sup> , black with contrasting stitching in express red on the instrument panel cover · seat belts in red · floor mats in black with contrasting stitching in express red	R38,200
6H1	<b>Singleframe in body color</b>	R7,100
6H2	<b>Singleframe in Glossy Black</b> (forces 4ZD or 4ZP)	No Cost
<b>Lighting and Mirrors</b>		
PXC	<b>Matrix LED headlamps with Audi laser light and LED rear combination lamps, lighting scheme and dynamic turn signal</b> Matrix LED headlights with Audi laser light and LED rear lights, light sequencing and dynamic indicator Highly adaptive light distribution, precise illumination with significantly reduced dazzle for oncoming traffic and vehicles ahead, combined with unmistakable design and innovative, futuristic looking RS-specific light sequencing. Including laser light with extensive reach and LED rear lights.	S
6FJ	<b>Black exterior mirror housings</b>	R2,100





Optional equipment		RS e-tron GT
<b>Interior equipment</b>		
6NC	<b>Headliner in Black Dinamica® microfiber</b>	R41,200
1N8	<b>Electromechanical power steering Plus</b> The optimised progressive steering increases driving dynamics and driving comfort thanks to speed-dependent power assistance for a more precise steering feel at higher speeds and outstanding assistance when parking and manoeuvring due to reduced steering effort.	R4,800
2PF	<b>Sports cont. leather-wr. multi-funct. Plus steering wheel in Alcantara®, w/ shift paddles, 3-spoke, flat-bottomed</b> (forces PEF/PEG/PEH)	No cost
1XP	<b>Sports contour leather-wrapped MF Plus steering wheel, 3-spoke, heated, shift paddles, flat-bottomed</b>	S
2V4	<b>Air quality package</b> Ionisation reduces harmful particles and germs in the air, thus improving the air quality in the vehicle interior. The air quality package can help improve comfort and attention levels.	R4,800
GA2	<b>Comfort stationary air conditioning</b> In addition to the standard stationery air conditioning, further equipment such as seat heating and window heating can be activated with comfort stationary air conditioning	R1,700
9M3	<b>Heat pump</b> The heat pump uses waste heat from the drivetrain to efficiently warm the vehicle interior. When the outside temperature drops below 20°C and the climate control is active, the heat pump can help save energy. This can have a positive effect on range.	R10,100
VT3	<b>Glossy Carbon scuff plates in front and rear, illuminated</b>	R20,100
7M9	<b>Scuff plates with aluminum inserts in front and rear, illuminated</b>	R10,100
VW0	<b>Acoustic glass for door and side windows</b>	R13,900
4GY	<b>Climate-controlled windshield / acoustic glass</b> The additional reflective coating reduces the build-up of heat in the interior in intense sunlight and can thus help to enhance the occupants' comfort and reduce the power consumption of the air conditioning. With viewing window for toll collection devices; double glazing provides exterior noise insulation.	R9,100
4GK	<b>Windshield with heat-insulating glass and acoustic glass with Gray tinted sunshield</b>	R2,100



Optional equipment		RS e-tron GT
<b>Seats   Upholstery   Inlays</b>		
4A4	<b>Seat heaters in front and rear</b>	R8,100
4D5	<b>Seat ventilation and massage feature in front</b> The active seat ventilation for the seat and backrest centre panels for the driver and front passenger seat provides a pleasant seat climate even at high outside temperatures by drawing in air. For ventilation, air is sucked in through the perforated leather on the seat centre panel and backrest centre panel of the driver and front passenger seat; the intensity can be adjusted in three stages via the air-conditioning controls. Seat heating is activated automatically to prevent cold seats. The leather on the ventilated front seats and the non-ventilated outer rear seats is perforated. The massage function includes eight different massage programs that were developed specifically for relaxing your back and shoulder muscles. Each front seat has a total of ten pneumatic cushions. These can be adjusted in three levels of intensity. The programs and intensity are adjusted on the MMI touch display.	R15,100
4D3	<b>Seat ventilation in front</b> (forces N0Q & Q1J)	No cost
Q2J	<b>Sports seats Plus in front</b> Sports seats plus front include: <ul style="list-style-type: none"> <li>• integrated headrests</li> <li>• pronounced side cheeks</li> <li>• electrical adjustment of seat height, fore / aft position, seat and backrest inclination and seat depth adjustment</li> <li>• pneumatic lumbar support</li> <li>• manual adjustment of belt height</li> <li>• heated seats in the front</li> <li>• optionally available: heated seats front and rear</li> <li>• optionally selectable: memory function for the driver's seat</li> <li>• pronounced outer rear seats and an additional central seating option with manually height-adjustable headrests</li> <li>• Rear seat backrest divisible in a ratio of 40:20:40 or completely foldable</li> <li>• Center armrest at the rear, one-piece and foldable, with cup holder</li> </ul> Forces Dinamica (N7U) or Cascade (N2Y) fabric at no cost	S
Q1J	<b>Sports seats Pro in front</b> Sports seats pro front include: <ul style="list-style-type: none"> <li>• integrated headrests</li> <li>• significantly more pronounced side cheeks</li> <li>• electrical adjustment of seat height, fore / aft position, seat and backrest inclination and seat depth adjustment</li> <li>• pneumatic adjustment of the seat and backrest bolsters as well as pneumatic lumbar support</li> <li>• manual adjustment of the belt height</li> <li>• Seat heating and ventilation at the front</li> <li>• Optionally selectable: massage function for driver and front passenger as well as heated seats front and rear</li> <li>• optionally selectable: memory function for the driver's seat</li> <li>• pronounced outer rear seats and an additional central seating option with manually height-adjustable headrests</li> <li>• Rear seat backrest divisible in a ratio of 40:20:40 or completely foldable</li> <li>• Center armrest at the rear, one-piece and foldable, with cup holder</li> </ul> Forces Perforated leather combination with honeycomb stitching (N0Q) at no cost	R40,100



Optional equipment		RS e-tron GT
<b>Seats   Upholstery   Inlays</b>		
N7U	<p><b>"Dinamica®" microfiber/leatherette "mono.pur550" combination (forces Sport seats plus (Q2))</b>                      Dinamica microfibre is a breathable microfibre material with a sporty look.                      Dinamica microfibre/mono.pur 550 artificial leather combination for sport seats plus, front includes:</p> <ul style="list-style-type: none"> <li>· seat centre panel and inner surface of seat side bolsters for the front seats and the two outer rear seats in Dinamica microfibre, black; seat centre panel with waterfall pattern in black</li> <li>· outer surface of seat side bolsters, head restraints with shoulder area and centre rear seat in mono.pur 550 artificial leather, black</li> </ul>	S
N2Y	<p><b>Fabric "Cascade"/leatherette "mono.pur550" combination (forces Sport seats plus (Q2))</b>                      The new Cascade cloth is used for the seat centre panel. Cascade cloth is an innovative material manufactured partly using recycled fibres. It contains recycled PET bottles and textile fibres that are collected and processed in the manufacturer's regional area. A large part of the seat cushioning also consists of recycled PET bottles.                      Cascade cloth/mono.pur 550 artificial leather combination for sport seats plus, front includes:</p> <ul style="list-style-type: none"> <li>· seat centre panel, inner surface of seat side bolsters and head restraints with shoulder area of the front seats and of the two outer rear seats in Cascade cloth; seat centre panel with waterfall pattern in gloss black</li> <li>· outer surface of seat side bolsters and centre rear seat in mono.pur 550 artificial leather, black</li> </ul>	No cost
N0Q	<p><b>Perforated leather combination with honeycomb stitching (forces Sport seats Pro Q1J)</b>                      Leather combination, perforated with honeycomb pattern for sport seats pro, front includes:</p> <ul style="list-style-type: none"> <li>· seat centre panel of the front seats and of the outer rear seats in perforated leather, black with honeycomb pattern in black</li> <li>· seat side bolsters, head restraints and centre rear seat in fine Nappa leather, black</li> </ul> <p>Leather combination, perforated with honeycomb pattern for sport seats pro, front is available in additional colours in conjunction with upper and lower interior elements in fine Nappa leather/Dinamica microfibre<sup>1</sup>:</p> <ul style="list-style-type: none"> <li>· leather combination in Santos brown with tone-on-tone stitching</li> <li>· leather combination in arras red with contrasting stitching in crescendo red</li> <li>· leather combination in Monaco grey with contrasting stitching in steel grey</li> </ul>	No cost
7HD	<p><b>Upper and lower interior elements in fine Nappa leather/Dinamica® microfiber</b>                      For sport seats plus, front and sport seats pro, front, the upper part of the instrument panel with instrument panel cover, the door rails, the door armrests and the centre console are in fine Nappa leather and the door trim inserts are in Dinamica microfibre. In combination with the sport seats pro, front, additional colour combinations in fine Nappa leather/Dinamica microfibre are available for the upper and lower interior elements. The characteristics of the fine Nappa leather accentuate the sophisticated appeal of the vehicle interior. The through-dyed, coated leather tanned without the use of chromium and its surface protection convey a sense of quality and ensure that the material is durable and lightfast. The discreet coating and pleasantly warm, breathable surface underline the luxurious character of the vehicle interior. Dinamica microfibre is a breathable microfibre material.</p>	R33,600
PEH	<p><b>Black Styling package without leather. (Upper and lower interior elements in leatherette/Dinamica® microfiber 7HF)</b>                      Completely leather-free interior. The targeted use of resource-friendly materials is a clear statement for the modern automotive world. In a choice of Dinamica microfibre or Cascade cloth in combination with mono.pur 550 artificial leather. Including upper and lower interior elements in artificial leather/Dinamica microfibre as well as a sport contour steering wheel in Alcantara.</p>	R12,000
7TN	<b>Decorative inserts in Gray Brown Natural Walnut wood</b>	R15,500
5MH	<b>Decorative inserts in Matte Carbon Twill</b>	R24,100



Optional equipment		RS e-tron GT
<b>Suspension systems &amp; brakes</b>		
PHZ	<p><b>All wheel steering</b> Improved handling:</p> <ul style="list-style-type: none"> <li>· more precise steering behaviour</li> <li>· more direct steering response</li> <li>· excellent driving and directional stability</li> <li>· improved agility</li> </ul> <p>Improved driving comfort:</p> <ul style="list-style-type: none"> <li>· comfortable handling</li> <li>· reduced steering angle</li> <li>· smaller turning circle</li> <li>· improved stability when changing lanes and swerving at high speeds</li> </ul>	R27,900
PC5	<b>Ceramic brakes with Anthracite Gray brake calipers</b>	No cost
PC7	<b>Ceramic brakes with Blue brake calipers</b>	No cost
PC6	<b>Ceramic brakes with Red brake calipers</b>	S
GH3	<b>quattro with controlled rear differential lock</b>	S



Optional equipment		RS e-tron GT
<b>Safety and Assistance systems</b>		
<b>W1G</b>	<b>Adaptive cruise control with speed limiter, efficiency assist, swerve assist and turn assist with Adaptive cruise assist</b> includes: · adaptive cruise control for regulating distance · speed limiter for warning the driver when the set maximum speed limit is exceeded · efficiency assist for an anticipatory, efficient driving style · swerve assist for helping the driver avoid obstacles · turn assist for warning the driver of oncoming vehicles and for braking support when turning off Adaptive cruise assist: · keeps the vehicle in its own lane · assists by braking, accelerating and steering · regulates the distance to the vehicles in front	<b>R33,000</b>
<b>6I6</b>	<b>Adaptive cruise assist with emergency assist</b> · helps to keep the vehicle in its own lane · assists by braking, accelerating and steering · helps to regulate the distance to the vehicles in front · optional triggering of emergency call	<b>R11,000</b>
<b>6K8</b>	<b>Audi pre sense basic, Audi pre sense front</b>	<b>No Cost</b>
<b>KS1</b>	<b>Head-up display</b>	<b>S</b>
<b>9R1</b>	<b>Night vision assistant</b>	<b>R43,200</b>
<b>PCV</b>	<b>Park Assist package with park assist plus</b> The assist package Park with park assist plus combines assist systems that help when parking and manoeuvring. Park assist plus enables the vehicle to be driven into and out of parking spaces by pressing the >>P button. The vehicle steers, accelerates, brakes and switches off the motor. The driver has to fully monitor this manoeuvre. For even easier manoeuvring, the surround view cameras display a range of different views of the vehicle's immediate surroundings directly on the touchscreen of the vehicle.	<b>S</b>



Optional equipment		RS e-tron GT
<b>Exterior equipment</b>		
3FI	<b>Carbon roof</b>	R75,400
VC2	<b>Garage door opener</b> This radio-operated remote control is freely programmable. Users can customise the names given to touchscreen areas for operation. Up to eight different radio-controlled garage doors, exterior gates or security and lighting systems in total can be stored. When approaching the stored location, a relevant pop-up appears to trigger the transmit operation. A user-friendly set-up assistant for the system – complete with the relevant owner’s manual information – is available via the MMI.	R5,000
<b>Charging systems</b>		
73Q	<b>Industrial cable for 3-phase 32A</b>	S
NW2	<b>e-tron charging system "connect" up to 22 kW</b>	S
KB4	<b>On-board charger up to 22 kW (AC)</b>	S



## Important information

### Welcome to Audi

#### **Audi Freeway Plan | Motoring Peace of Mind**

There can be no better motoring peace of mind than knowing that your car will be serviced, maintained and repaired, should this prove necessary, at no cost to you. Thanks to Audi Freeway Plan, that peace of mind could be yours.

The Audi Freeway Plan absorbs all maintenance and service costs, with the exception of between-service top-up fluids, fuel, cracked or broken glass, and tyres.

Recommended retail pricing is inclusive of an optional 5 year/100,000 km Audi Freeway Plan on all new Audi vehicles.

Top-up options to extend maintenance are available at extremely competitive rates. Audi has specially designed the Audi Freeway Plan for easy operation on the part of the owner. Making an appointment with any one of our approved Audi Servicing Dealers can effect regular servicing and maintenance as well as repairs (with the exception of accident damage).

All work is handled by the relevant service department, which will liaise directly with the Audi Freeway Plan Maintenance Unit. No extra effort or payment is required from the Audi owner. The Audi Freeway Plan is registered with the vehicle and as such is transferable to the new owner should the car be sold before the Audi Freeway Plan has expired, giving added resale value. The Audi Freeway Plan is available in addition to Audi's standard one-year/unlimited distance vehicle warranty. The Audi Freeway Plan is subject to certain exclusions, covers any repairs necessary after the expiry of the standard warranty.

#### **Audi Assist | Emergency and Personal Assistance**

Audi Assist is a programme whereby Audi of South Africa and its Dealer Network pledge to provide you with peace of mind motoring by providing the infrastructure to support a countrywide emergency service 24 hours a day, every day.

The programme is known as Audi Assist and operates within the borders of South Africa as well as Namibia and Botswana. The objective of the programme is to ensure on the spot roadside assistance offered by a fully equipped and trained Audi technician.

The primary focus is to get you mobile in your own vehicle. Where a roadside repair cannot be effected and the vehicle needs to be towed to the nearest Audi dealer, you and the occupants of the vehicle will be transported to a place of safety in the dealer's roadside assistance vehicle.

Contact details within South Africa:

086 043 4838

Contact details for neighbouring states:

+27 41 994 5616

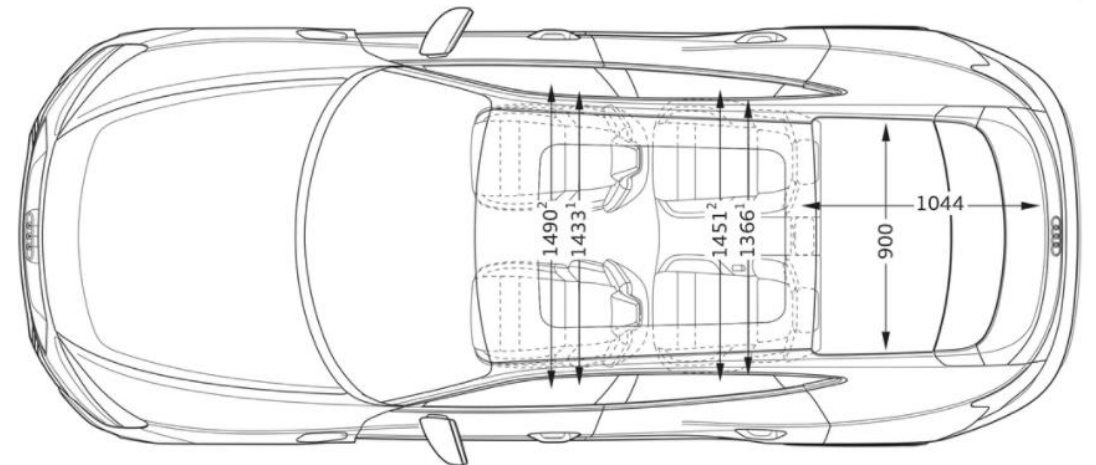
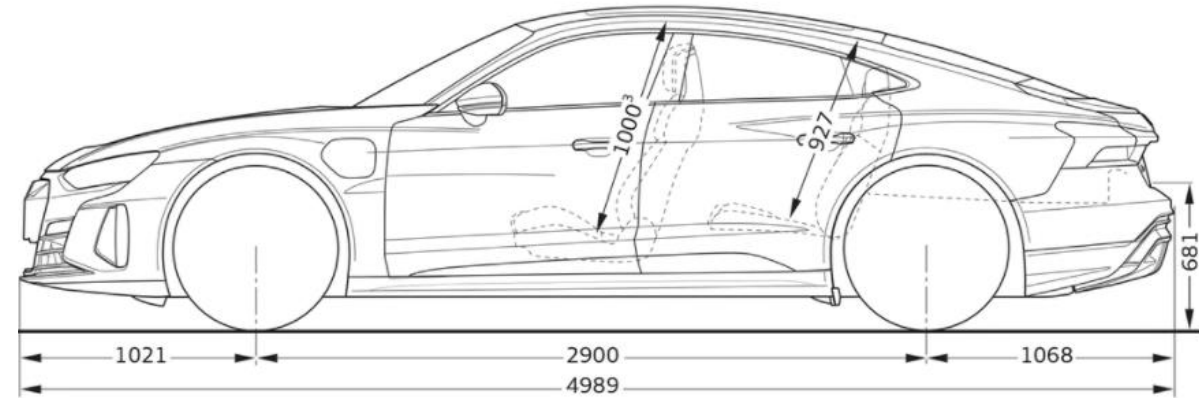
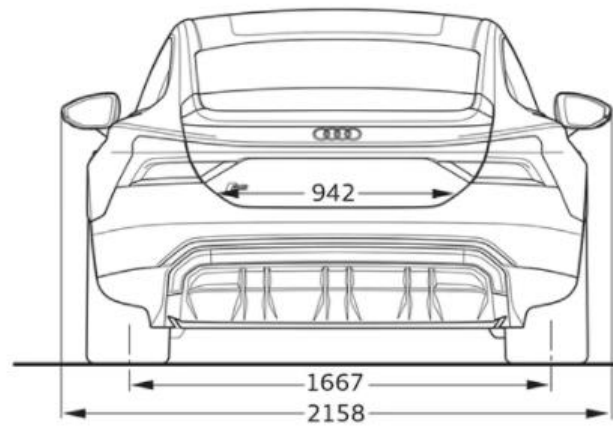
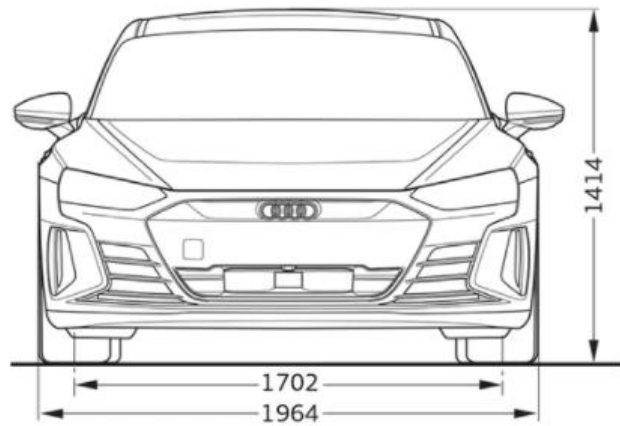
24 hours a day, 7 days a week

Vehicle model and VIN number will be required.

# RS e-tron GT



## Audi RS e-tron GT Dimensions All the measurements you need



Audi RS e-tron GT luggage compartment capacity – 350 l

- <sup>1</sup>Width shoulder space
  - <sup>2</sup>Width elbow space
  - <sup>3</sup>Maximum head space
  - <sup>4</sup>Vehicle height with roof antenna
  - <sup>5</sup>Vehicle width with exterior mirror +146 mm
- Data in millimetres



# RS e-tron GT



## Information in this pricelist

We've done all we can to make the prices, specifications, technical details and all other information you see in this pricelist accurate at the time of publication. We reserve the right to change prices or specification at any time. All prices shown include VAT, which is currently charged at 15%. Recommended retail pricing is not binding on the dealer and is inclusive of an optional 5 year/100,000km Audi Freeway Plan.

Please check model availability and full specification details with your Audi Dealership prior to ordering. Neither Audi South Africa nor Audi Dealers can accept contractual responsibility for your reliance on the information contained in this pricelist. Performance figures and specifications relating to Audi vehicles are indicative only and performance cannot be guaranteed. Performance figures and specifications may be updated from time to time, when new test results or other information become available. Your local Audi Dealership can always provide you with the most up-to-date information available. Written and visual depictions (including photographs) of vehicles, are for illustrative purposes only and should not be relied upon. Some illustrations may not accurately reflect South African specifications (including paint and trim colours) and may not be available. If in doubt, always contact your local Audi Dealership.