



**A6 | S6**

**April 2024**



## The Audi A6

When design meets efficiency and sportiness meets style. When innovation and precision go hand-in-hand and progressive elegance becomes palpable in every line. When form and function become a statement and progress stands above all else. That's when executive class has a new pace setter: the Audi A6 Sedan. More athletic than ever. As supreme as always.

This pricelist will make it easy for you to build your A6, taking you through all the model, engine and option choices. The online configurator is also available to build your dream car.



## Engines and Pricing | A6

Engine	Fuel type	Transmission	Power output (kW)	Torque (Nm)	Fuel consumption (l/100 km)	CO <sub>2</sub> emissions (g/km)	0 – 100 km/h (sec)	Top speed (km/h)	RRP*
					Combined	Combined			
40 TDI	Diesel	S tronic	140	400	5.2	136	8.4	237	R 1,141,800
45 TDI quattro	Diesel	tiptronic	183	600	6.4	169	6.1	250	R 1,355,000
S6 TFSI quattro	Petrol	tiptronic	331	600	8.3	193	4.5	250	R 1,617,300

Fuel consumption and CO<sub>2</sub> data applies to the German Market. The specified values are determined in accordance with certain test procedures. The specifications do not refer to an individual vehicle but serve only as a basis for comparing the different types of vehicles. In addition, the consumption figures achieved during normal driving may differ from the test values, depending in particular on special equipment fitted, vehicle loading, personal driving style, road and traffic conditions, environmental factors and conditions of the car.

\* RRP is inclusive of VAT, CO<sub>2</sub> emissions tax and a 5 year/100,000km Audi Freeway Plan



## Standard Equipment | A6 40 and 45 TDI

### Wheels:

- ▶ Anti-theft wheel bolts and loose wheel warning
- ▶ Disc brakes in front, 17-inch (ECE) (45 TDI)
- ▶ Disc brakes in rear, 17-inch (ECE) (45 TDI)
- ▶ Disc brakes in front, 16-inch (ECE) (40 TDI)
- ▶ Disc brakes in rear, 16-inch (ECE) (40 TDI)
- ▶ Space-saving spare wheel
- ▶ Tool kit and jack
- ▶ Wheels, 5-arm dynamic style, Platinum Gray, 8.5J x 19, 245/45 R19 tyres

### Performance and suspension:

- ▶ Audi drive select
- ▶ Front-wheel drive (40 TDI)
- ▶ Progressive steering
- ▶ quattro (with self-locking center differential) (45 TDI)
- ▶ Sports suspension
- ▶ Standard exhaust system

### Exterior equipment

- ▶ Bluetooth interface
- ▶ Body-colored exterior mirror housings
- ▶ Electric auxiliary air heater

- ▶ Exterior mirrors, power-adjustable, heated and power-folding, auto-dimming, with memory feature
- ▶ S line bumpers
- ▶ S line logo, exterior
- ▶ Scuff plates with aluminum inserts in front and rear, illuminated, with "S" logo in front
- ▶ Side and rear windows with heat-reflecting glass
- ▶ Window trims in aluminum look
- ▶ Windshield with heat-reflecting glass

### Lighting:

- ▶ Ambient Lighting package
- ▶ High-beam assist (40 TDI)
- ▶ Headlamp washer system (45 TDI)
- ▶ LED headlamps and LED rear combination lamps (40 TDI)
- ▶ Matrix LED rear combination lamps with dynamic turn signal (45 TDI)
- ▶ Separate daytime running light

### Interior equipment:

- ▶ 4-way lumbar support for the front seats
- ▶ Airbags in front, front passenger airbag can be deactivated
- ▶ Anti-theft alarm system

- ▶ Auto-dimming interior rearview mirror, frameless
- ▶ Comfort center armrest in front
- ▶ Dashboard and door trim panel two-piece, single-color, multi-colored
- ▶ Decorative inlays in Aluminium Fragment
- ▶ First aid kit with warning triangle and safety vests
- ▶ Floor mats in front and rear
- ▶ Headliner in Black fabric
- ▶ Leather/leatherette "mono.pur 550" combination
- ▶ Leather-wrapped multi-function steering wheel, double-spoke, shift paddles and steering wheel heating
- ▶ Operating buttons in Matte Black
- ▶ Power front seats with memory feature for the driver seat
- ▶ Split-folding rear seat backrest
- ▶ Standard pedal cluster
- ▶ Standard seats in front
- ▶ Sun visors in front
- ▶ Upper interior elements in leatherette
- ▶ 2-zone climate control system

## Standard Equipment | A6 40 and 45 TDI

### Audio & communication:

- ▶ Audi connect Emergency Call & Service with Audi connect  
(Includes safety and service features in the event of damage, breakdown or minor accidents. Enables an emergency call or roadside assistance directly from module located in the roof of the vehicle in order to access emergency services support. Also includes security and convenience services such as remote functions (model-dependent) that network the vehicle with a smartphone through the myAudi app. Features include car finder, remote lock/unlock, geo-fencing, speed alert and theft/alarm notification. Applicable to MY21 vehicles onwards. Services only supported in South Africa.)
- ▶ Remote & Control
- ▶ Audi connect Navigation & Infotainment  
(Includes live and integrated Google Earth navigation, traffic information, points of interests and weather updates. Applicable to MY21 vehicles onwards. Services only supported in South Africa.)
- ▶ Audi music interface
- ▶ Audi sound system
- ▶ Audi virtual cockpit Plus

- ▶ MMI navigation plus with MMI touch response
- ▶ Smartphone interface
- ▶ Top infotainment system Premium (MIB3)

### Safety and convenience:

- ▶ Cruise control system with speed limiter
- ▶ Head restraints in front
- ▶ Indirect tire pressure monitoring system
- ▶ ISOFIX child seat anchors and top tether for outer rear seats
- ▶ ISOFIX child seat anchors for front passenger seat
- ▶ Luggage compartment lid, automatically opening
- ▶ Parking aid Plus
- ▶ Rear view camera system
- ▶ Regenerative braking
- ▶ Remote control key with SAFELOCK
- ▶ Side airbags in front and curtain airbag system



## Standard Equipment | S6

### Wheels:

- ▶ Anti-theft wheel bolts and loose wheel warning
- ▶ Audi Sport wheels, 10-spoke star style, Metallic Black, diamond-turned, 8.5J x 20, 255/40 R20 tyres
- ▶ Space-saving spare wheel
- ▶ Tool kit and jack

### Performance & suspension:

- ▶ 48-V electric system and active battery cooling
- ▶ Audi drive select
- ▶ Mild hybrid
- ▶ Progressive steering
- ▶ quattro (with self-locking center differential)
- ▶ S sports suspension with damper control
- ▶ Standard exhaust system

### Exterior equipment:

- ▶ Body-colored rear spoiler
- ▶ Disc brakes in front & rear, 19-inch, brake calipers painted in Red
- ▶ with "S" lettering (ECE)
- ▶ Exterior mirror housings in Aluminium Look
- ▶ Exterior mirrors, power-adjustable, heated and power-

- ▶ folding, auto-dimming, with memory feature
- ▶ Panoramic glass sunroof
- ▶ Rear window, rear door windows and side windows in clear glass
- ▶ S model bumpers
- ▶ Scuff plates with aluminum inserts in front and rear, illuminated, with "S" logo in front
- ▶ Side and rear windows with heat-reflecting glass
- ▶ Window trims in aluminum look
- ▶ Windshield with heat-reflecting glass

### Lighting:

- ▶ Ambient Lighting package plus
- ▶ HD Matrix LED headlamps with dynamic light design and dynamic turn signal
- ▶ Headlamp washer system
- ▶ Separate daytime running light

### Interior equipment:

- ▶ 4-way lumbar support for the front seats
- ▶ 4-zone climate control system
- ▶ Airbags in front, front passenger airbag can be deactivated
- ▶ Anti-theft alarm system
- ▶ Auto-dimming interior rearview mirror, frameless

- ▶ Comfort center armrest in front
- ▶ Dashboard and door trim panel two-piece, single-color, multi-colored
- ▶ Decorative inserts in Matte Brushed Aluminum, dark
- ▶ Electric steering wheel adjustment
- ▶ First aid kit with warning triangle and safety vests
- ▶ Floor mats in front and rear
- ▶ Glossy Black operating buttons with haptic feedback and aluminum Look interior
- ▶ Headliner in Black fabric
- ▶ Power front seats with memory feature for the driver seat
- ▶ Pedals and footrest in stainless steel
- ▶ Seat heaters in front
- ▶ Split-folding rear seat backrest
- ▶ Sports contour leather-wrapped multi-function steering wheel, with shift paddles, 3-spoke, flat-bottomed
- ▶ Sports seats in front
- ▶ Storage package
- ▶ Upper interior elements in leatherette
- ▶ Valcona leather with embossed "S"
- ▶ Variable head restraints for front seats



## Standard Equipment | S6

### Audio & communication:

- ▶ Audi connect Emergency Call & Service with Audi connect Remote & Control  
(Includes safety and service features in the event of damage, breakdown or minor accidents. Enables an emergency call or roadside assistance directly from module located in the roof of the vehicle in order to access emergency services support. Also includes security and convenience services such as remote functions (model-dependent) that network the vehicle with a smartphone through the myAudi app. Features include car finder, remote lock/unlock, geo-fencing, speed alert and theft/alarm notification. Applicable to MY21 vehicles onwards. Services only supported in South Africa.)
- ▶ Audi connect Navigation & Infotainment  
(Includes live and integrated Google Earth navigation, traffic information, points of interests and weather updates. Applicable to MY21 vehicles onwards. Services only supported in South Africa.)
- ▶ Audi music interface
- ▶ Audi phone box with LTE support
- ▶ Audi virtual cockpit
- ▶ Bang & Olufsen premium sound system with 3D sound





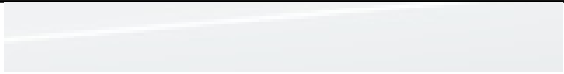



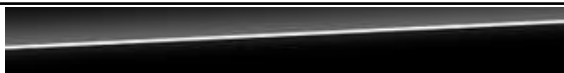

- ▶ MMI navigation plus with MMI touch response
- ▶ Smartphone interface
- ▶ Top infotainment system Premium (MIB3)

### Safety and convenience

- ▶ Audi pre sense basic
- ▶ Comfort key with sensor-controlled luggage compartment release with SAFELOCK
- ▶ Cruise control system with speed limiter
- ▶ Indirect tire pressure monitoring system
- ▶ ISOFIX child seat anchors and top tether for outer rear seats
- ▶ ISOFIX child seat anchors for front passenger seat
- ▶ Luggage compartment lid, electrically opening and closing
- ▶ Parking aid Plus
- ▶ Rear view camera system
- ▶ Side airbags in front and curtain airbag system



## Paint | A6

Colour Code		Description	40 TDI	45 TDI	S6
9W9W		Ascaris Blue Metallic	R38,400	R38,400	R38,400
Z7Z7		Chronos Grey Metallic	No cost	No cost	No cost
5U5U		Firmament Blue Metallic	No cost	No cost	No cost
L5L5		Floret Silver Metallic	No cost	No cost	No cost
2Y2Y		Glacier White Metallic	No cost	No cost	No cost
S5S5		Grenadine Red Metallic	No cost	No cost	No cost
0E0E		Myth Black Metallic	No cost	No cost	No cost
6Y6Y		Daytona Grey Pearlescent	R18,370	R18,370	R18,370
A2A2		Brilliant Black	No cost	No cost	No cost
Q0Q0		Individual paint finish, Audi exclusive	R83,900	R83,900	R83,900





## Wheels & tyres | A6

		40 TDI	45 TDI	S6
F09	Wheels, 5-arm dynamic style, Platinum Gray, 8.5J x 19, 245/45 R19 tires	S	S	---
42R	Wheels, 5-double-spoke style, Graphite Gray, diamond-turned, 8.5J x 19, model-specific tires	R2,100	R2,100	---
C1S	Wheels, 5-spoke V-style, Graphite Gray, diamond-turned, 8.5J x 20, 255/40 R20 tires	R20,700	R20,700	---
F57	Wheels, 5-V-spoke dynamic style, Graphite Gray, diamond-turned, 8.5J x 21, 255/35 R21 tires	---	R39,600	---
59R	Audi Sport wheels, 5-double-spoke style, Matte Dark Gray, diamond-turned, 8.5J x 21, 255/35 R21 tires	---	---	R25,500
V60	Audi Sport wheels, 5-V-spoke structure style, Anthracite Black, diam.-turned, 8.5J x 21, 255/35 R21 tires	---	---	R25,500
C6P	Audi Sport wheels, 5-V-spoke structure style, Platinum Gray, diamond-turned, 8.5J x 21, 255/35 R21 tires	---	---	R25,500





## Optional extras | A6

Equipment packages and exterior styling:		40 TDI	45 TDI	S6
4ZD	<b>Black styling package</b> Black accents on the exterior in the area of the Audi Singleframe grille, the trim strips on the side windows and the front and rear bumpers.	R12,800	R12,800	R12,800
4ZP	<b>Black Styling package Plus</b>	R16,600	R16,600	R16,600
WQS	<b>S line interior</b>	R2,000	R2,000	S
<b>Lighting:</b>				
QQ2	<b>Ambient Lighting package plus</b>	R11,800	R11,800	S
9TG	<b>Additional warning lights (door area) in front</b>	R 2,700	R 2,700	R 2,700
PX6	<b>Matrix LED headlights and LED rear combination lights and headlight washer system</b> Audi Matrix LED technology provides precise illumination of the road whilst reducing the risk of dazzling other road users. Matrix LED's calculates the appropriate lighting required and automatically dips or turns off individual lighting diodes, creating a corridor of lights either side of the vehicle or object in front of it. Includes dynamic front and rear indicators which sweep from inside to out.	R 17,500	S	---
PXC	<b>HD Matrix LED headlights and LED rear combination lights and headlight washer system</b> The new multi-line HD matrix LED headlight enables more precise and higher-resolution illumination of the road, in addition to the functionality of Matrix LED headlights.	R 34,000	R16,900	S
PXI	<b>Tinted HD Matrix LED headlamps, LED rear combination lamps and headlamp washer system</b>	R57,500	R40,700	R24,200



## Optional extras | A6

<u>Exterior equipment:</u>		40 TDI	45 TDI	S6
6FA	Body-colored exterior mirror housings	S	S	No cost
6FJ	Exterior mirror housings in Black	R2,400	R2,400	R2,400
3FB	Panoramic glass sunroof	R34,500	R34,500	S
PGB	Comfort key incl. sensor-controlled luggage compartment release and anti-theft alarm system	R17,300	R17,300	R17,300
4E7	Luggage compartment lid, electrically opening and closing	R10,900	R10,900	S
GZ2	Power latching for the doors Convenient and safe door closing: automatically pulls doors into place that are not fully closed	R13,200	R13,200	R13,200
1D4	Trailer hitch	R20,500	R20,500	R20,500
<u>Infotainment:</u>				
9ZE + GB1	Audi Phone box with LTE support for Audi phone box Offers wireless charging with Qi enabled compatible phones and creates an additional Bluetooth interface for a second device which means two mobile phones can be connected to the vehicle simultaneously.	R10,400	R10,400	S
UE8	USB ports with charging function in rear	3,200	3,200	3,200
9VS	Bang & Olufsen Premium Sound System with 3D sound Sound reproduction through 16 speakers including 3D sound speakers, centre speaker and subwoofer, 15-channel amplifier with a total output of 705 watts; spatial sound reproduction through the sound feature 3D sound for the front seats. This is generated by additional loudspeakers in the A-pillar, by the midrange speakers and the Fraunhofer technology Symphoria. The 3D sound can be reproduced with all sources. An unprecedentedly authentic 3D surround experience is created in the vehicle and gives the feeling of sitting in the front row of a concert hall.	23,800	23,800	S



## Optional extras | A6

<b>Seats &amp; interior equipment:</b>		<b>40 TDI</b>	<b>45 TDI</b>	<b>S6</b>
4A3	Seat heaters in front	R7,900	R7,900	S
4A4	Seat heaters in front and rear	R15,700	R15,700	R8,100
Q1D	Sports seats in front	R7,300	R7,300	S
Q4Q	Sports seats Plus in front	---	---	R13,500
5ZC	Variable head restraints for front seats	R3,100	R3,100	---
2C7	Electric steering wheel adjustment	R8,300	R8,300	S
1XP	Leather-wrapped multi-function steering wheel, 3-spoke, with shift paddles and steering wheel heating	R8,800	R8,800	R 6,600
2PF	Sports contour leather-wrapped multi-function steering wheel, with shift paddles, 3-spoke, flat-bottomed	R4,900	R4,900	S
9AQ	4-zone climate control system	R16,600	R16,600	S
2V9	Air ionizer and aromatization	R9,300	R9,300	R9,300
QE1	Storage package	R1,700	R1,700	S
7HF	Upper and lower interior elements in leather	R29,700	R29,700	R29,700
7HD	Upper and lower interior elements in leatherette	R16,500	R16,500	R6,500



## Optional extras | A6

<b>Seats &amp; interior equipment:</b>		<b>40 TDI</b>	<b>45 TDI</b>	<b>S6</b>
N5J	Dinamica microfiber/leather combination	R7,300	R7,300	---
N5D	Valcona leather	R27,700	R27,700	---
N2R	Valcona leather with embossed "S"	R27,700	R27,700	S
5MK	Decorative inserts in Carbon Twill Structure	---	---	R16,800
7TH	Dinamica microfiber decorative inserts, Black	R20,500	R20,500	R11,700
GS5	Glossy Black operating buttons with haptic feedback and aluminum Look interior	R7,000	R7,000	S



## Optional extras | A6

<u>Assistance Systems:</u>		40 TDI	45 TDI	S6
PCZ	<p><b>360-degree cameras with Parking aid plus</b> Using data captured by the 12 ultrasonic sensors integrated discreetly into the bumpers, the acoustic and visual parking system, front, side and rear assists with entering and exiting parking spaces and with manoeuvring. Based on the steering angle and direction of travel, the distance to detected objects is shown in a selective, optical display on the upper MMI touch response screen. Obstacles detected outside the driving path are shown as a white segment. Red segments represent obstacles in the driving path. A virtual driving path display additionally provides guidelines at the sides, which are calculated in advance based on the current steering angle. The function is activated by selecting reverse gear, via a button on the centre console and, as an option, automatically as soon as the vehicle moves closer to a detected obstacle at a speed below 10 km/h.</p>	R22,100	R22,100	R22,100
6K8	<p><b>Audi pre sense front</b> The safety measures offered by Audi pre sense front include:</p> <ul style="list-style-type: none"> <li>- tensioning of the front and, if available, the outer rear seat belts</li> <li>- optimisation of the seat position</li> <li>- activation of the hazard warning lights to alert other road users</li> <li>- closing of the windows and the panoramic glass sunroof</li> </ul>	R9,000	R9,000	R9,000
KS1	<b>Head-up display</b>	R29,900	R29,900	R29,900
PCH	<p><b>Lane change warning incl. Audi pre sense rear, exit warning system and rear cross traffic assist</b> This assist system supports the driver in city traffic and on roads with multiple lanes. Because it's easy to miss vehicles in the blind spot. In these cases, the system warns of critical situations involving vehicles approaching from behind. It also alerts you to potential collisions when getting out and reverse parking and, if required, Audi pre sense rear initiates targeted safety measures. This equipment includes:</p> <ul style="list-style-type: none"> <li>- side assist</li> <li>- exit warning</li> <li>- rear cross-traffic assist</li> <li>- Audi pre sense rear</li> </ul>	R19,200	R19,200	R19,200
9R1	<b>Night vision assistant</b>	R46,000	R46,000	R46,000



## Optional extras | A6

<u>Assistance Systems:</u>		40 TDI	45 TDI	S6
PCC	<b>Tour assistance package</b> Combines various functions in one package. These provide even more comfort, safety and efficiency on long journeys and country roads. The system also assists with driving in traffic jams and through roadworks as well as when turning and swerving. The assist package Tour includes the following assist systems: · adaptive cruise assist · adaptive cruise control · active lane assist · efficiency assist · turn assist · swerve assist · emergency assist · Audi pre sense front	R41,700	R41,700	R41,700
<u>Suspension/safety:</u>				
1BK	<b>adaptive air suspension</b>	---	R33,700	R18,200
PHZ	<b>Dynamic all-wheel steering</b>	---	---	R40,600
GH2	<b>quattro with sports differential</b>	---	---	R32,100



# Important information

## Welcome to Audi

### **Audi Freeway Plan | Motoring Peace of Mind**

There can be no better motoring peace of mind than knowing that your car will be serviced, maintained and repaired, should this prove necessary, at no cost to you. Thanks to Audi Freeway Plan, that peace of mind could be yours.

The Audi Freeway Plan absorbs all maintenance and service costs, with the exception of between-service top-up fluids, fuel, cracked or broken glass, and tyres.

Recommended retail pricing is inclusive of an optional 5 year/100,000 km Audi Freeway Plan on all new Audi vehicles.

Top-up options to extend maintenance are available at extremely competitive rates. Audi has specially designed the Audi Freeway Plan for easy operation on the part of the owner. Making an appointment with any one of our approved Audi Servicing Dealers can effect regular servicing and maintenance as well as repairs (with the exception of accident damage).

All work is handled by the relevant service department, which will liaise directly with the Audi Freeway Plan Maintenance Unit. No extra effort or payment is required from the Audi owner. The Audi Freeway Plan is registered with the vehicle and as such is transferable to the new owner should the car be sold before the Audi Freeway Plan has expired, giving added resale value. The Audi Freeway Plan is available in addition to Audi's standard one-year/unlimited distance vehicle warranty. The Audi Freeway Plan is subject to certain exclusions, covers any repairs necessary after the expiry of the standard warranty.

### **Audi Assist | Emergency and Personal Assistance**

Audi Assist is a programme whereby Audi of South Africa and its Dealer Network pledge to provide you with peace of mind motoring by providing the infrastructure to support a countrywide emergency service 24 hours a day, every day.

The programme is known as Audi Assist and operates within the borders of South Africa as well as Namibia and Botswana. The objective of the programme is to ensure on the spot roadside assistance offered by a fully equipped and trained Audi technician.

The primary focus is to get you mobile in your own vehicle. Where a roadside repair cannot be effected and the vehicle needs to be towed to the nearest Audi dealer, you and the occupants of the vehicle will be transported to a place of safety in the dealer's roadside assistance vehicle.

Contact details within South Africa:

086 043 4838

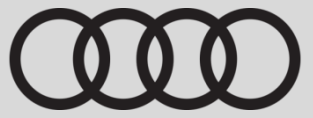
Contact details for neighbouring states:

+27 41 994 5616

24 hours a day, 7 days a week

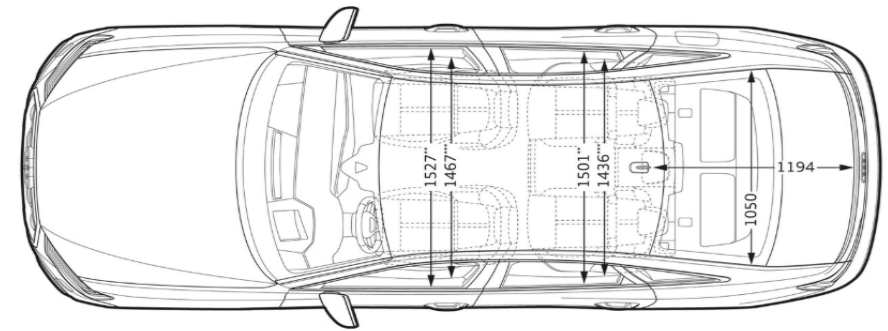
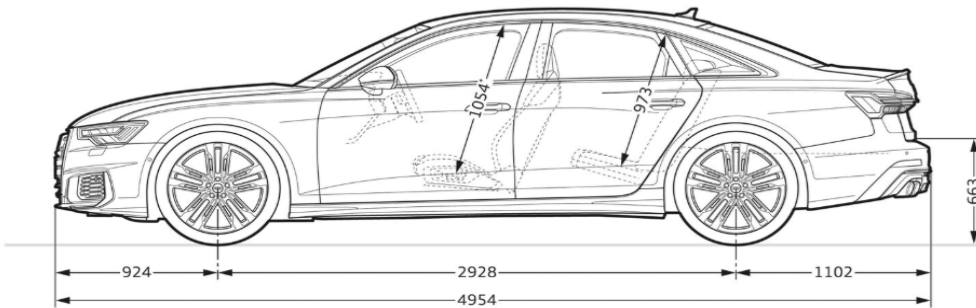
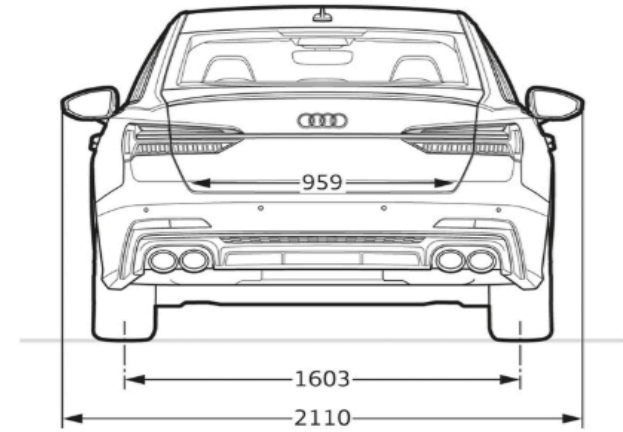
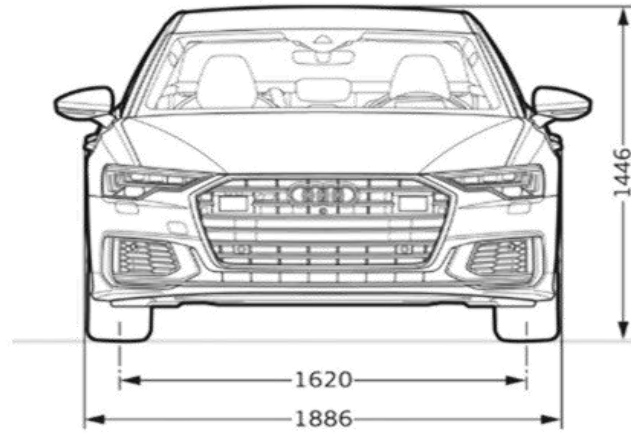
Vehicle model and VIN number will be required.





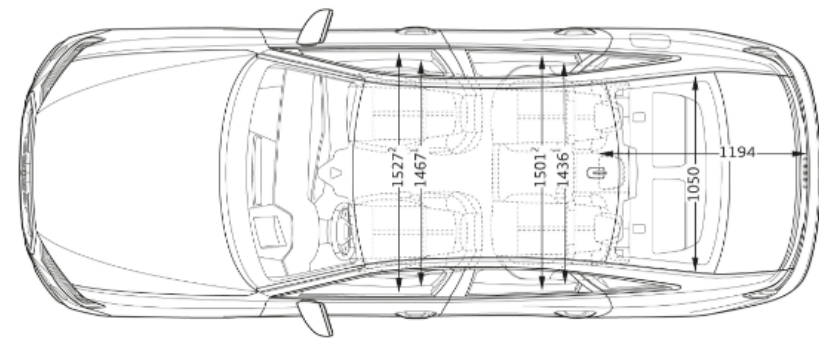
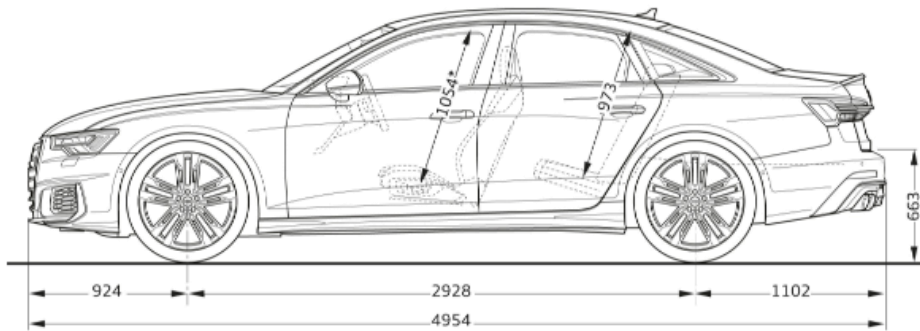
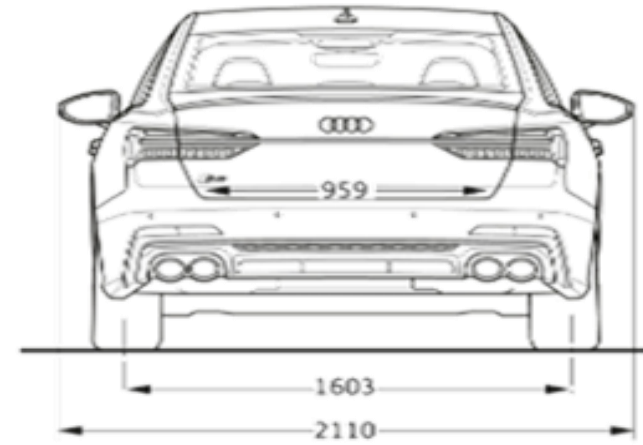
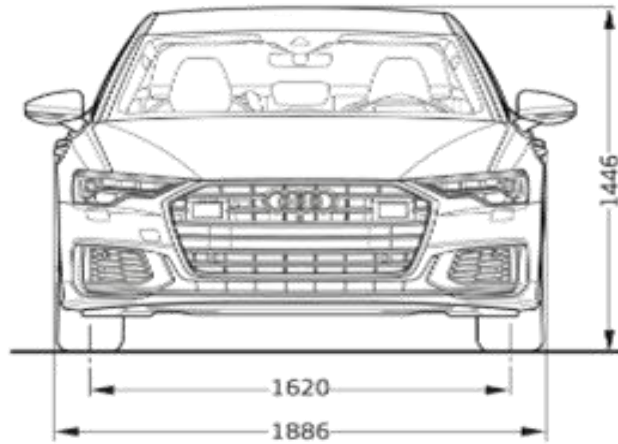
## A6 dimensions

All the measurements you need



## S6 dimensions

All the measurements you need



Luggage capacity: 520l

# A6



## Information in this pricelist

We've done all we can to make the prices, specifications, technical details and all other information you see in this pricelist accurate at the time of publication. We reserve the right to change prices or specification at any time. All prices shown include VAT, which is currently charged at 15%. Recommended retail pricing is not binding on the dealer and is inclusive of an optional 5 year/100,000km Audi Freeway Plan.

Please check model availability and full specification details with your Audi Dealership prior to ordering. Neither Audi South Africa nor Audi Dealers can accept contractual responsibility for your reliance on the information contained in this pricelist. Performance figures and specifications relating to Audi vehicles are indicative only and performance cannot be guaranteed. Performance figures and specifications may be updated from time to time, when new test results or other information become available. Your local Audi Dealership can always provide you with the most up-to-date information available. Written and visual depictions (including photographs) of vehicles, are for illustrative purposes only and should not be relied upon. Some illustrations may not accurately reflect South African specifications (including paint and trim colours) and may not be available. If in doubt, always contact your local Audi Dealership.