

**A4 | S4**

**April 2024**

# The Audi A4 and S4

The sporty character of the new Audi A4 Sedan is more evident than ever, carrying a high-quality and functionally designed interior, innovative technologies in the areas of digitization, infotainment and driver assistance systems.

This pricelist will make it easy for you to build your A4 or S4, taking you through all the model, engine and option choices. The online configurator is also available to build your dream car.





## Engines

Engine	Capacity	Fuel type	Transmission	Power output (kW)	Torque (Nm)	Fuel consumption (l/100 km)			CO <sub>2</sub> emissions (g/km)	0 – 100 km/h (sec)	Top speed (km/h)	RRP*
						Urban	Extra urban	Combined				
35 TFSI	1 984	Petrol	S tronic	110	270	7.7	5.2	6.1	140	8.9	225	R 774,800
35 TFSI Advanced	1 984	Petrol	S tronic	110	270	7.7	5.2	6.1	140	8.9	225	R 789,800
40 TFSI	1 984	Petrol	S tronic	140	320	7.9	5.3	6.3	143	7.3	241	R 832,800
40 TFSI Advanced	1 984	Petrol	S tronic	140	320	7.9	5.3	6.3	143	7.3	241	R 847,800
40 TFSI S line	1 984	Petrol	S tronic	140	320	7.9	5.3	6.3	143	7.3	241	R 862,800
35 TDI	1 968	Diesel	S tronic	110	320	6.3	4.3	5.0	135	8.7	219	R 822,000
35 TDI Advanced	1 968	Diesel	S tronic	110	320	6.3	4.3	5.0	135	8.7	219	R 837,000
35 TDI S line	1 968	Diesel	S tronic	110	320	6.3	4.3	5.0	135	8.7	219	R 852,000
S4 TFSI quattro	2 995	Petrol	tiptronic	260	500	11.7	6.7	8.6	195	4.7	250	R 1,128,400
35 TFSI Black Edition	1 984	Petrol	S tronic	110	270	7.7	5.2	6.1	140	8.9	225	R 909,300
40 TFSI Black Edition	1 984	Petrol	S tronic	140	320	7.9	5.3	6.3	143	7.3	241	R 962,300
35 TDI Black Edition	1 968	Diesel	S tronic	110	320	6.3	4.3	5.0	135	8.7	219	R 956,500
S4 TFSI Black Edition	2 995	Petrol	tiptronic	260	500	11.7	6.7	8.6	195	4.7	250	R 1,288,900

Fuel consumption and CO<sub>2</sub> data applies to the German Market. The specified values are determined in accordance with certain test procedures. The specifications do not refer to an individual vehicle but serve only as a basis for comparing the different types of vehicles. In addition, the consumption figures achieved during normal driving may differ from the test values, depending in particular on special equipment fitted, vehicle loading, personal driving style, road and traffic conditions, environmental factors and conditions of the car.

\* RRP is inclusive of VAT, CO<sub>2</sub> emissions tax and an optional 5 year/100,000km Audi Freeway Plan

## BLACK EDITION | A4

(standard equipment over and above S line trim)



- ▶ S line exterior and interior
- ▶ 19-inch cast aluminium wheels
- ▶ Black styling package plus with black mirrors
- ▶ Matrix LEDs, Contour ambient lighting, door entrance LED lighting
- ▶ 3-zone climate control
- ▶ Glass sunroof
- ▶ Power front seats with Fine Nappa Leather seat upholstery
- ▶ Decorative inlay in brushed aluminium
- ▶ Audi sound system
- ▶ MMI navigation with Audi connect infotainment system
- ▶ Audi virtual cockpit plus
- ▶ Rear view camera system
- ▶ Audi phone box
- ▶ Storage and luggage package with USBs in rear
- ▶ Privacy glass with manual sunshades
- ▶ Sports steering wheel

Available for

- 35 TFSI
- 35 TDI
- 40 TFSI



## BLACK EDITION | S4

(standard equipment over and above S model)



- ▶ **Black styling package plus with black mirrors (folding)**
- ▶ **Matrix LEDs, door entrance LED lighting**
- ▶ **3-zone climate control**
- ▶ **Glass sunroof**
- ▶ **Sport seats plus with Fine Nappa Leather seat upholstery**
- ▶ **Power front seats with memory for driver seat**
- ▶ **Pneumatically adjustable lumbar support with massage feature for front seats**
- ▶ **Seat heaters**
- ▶ **Bang & Olufsen sound system**
- ▶ **MMI navigation with Audi connect infotainment system**
- ▶ **Rear view camera system**
- ▶ **Audi phone box**
- ▶ **Carbon spoiler on tailgate**

## Trim lines | A4

### Standard



- ▶ 17-inch cast aluminium wheels
- ▶ Door sills with aluminium inserts in front
- ▶ Radiator grille painted black matte
- ▶ Frame of grille in chrome
- ▶ Side air intakes black matte grained
- ▶ Rear diffuser matte black grained
- ▶ Tailpipe trims in aluminium silver matte
- ▶ Bar tailgate in chrome



## Trim lines | A4

**Advanced** (standard equipment over and above standard trim)



- ▶ 18-inch cast aluminium wheels
- ▶ Widened sills in body colour
- ▶ Door sills with aluminium inserts in front
- ▶ Radiator grille in titanium black painted with slats in aluminium silver matte
- ▶ Frame of grille in chrome
- ▶ Side air inlets matte black grained with insert in matte aluminium silver
- ▶ Rear diffuser in titanium black matte
- ▶ Trim in aluminium silver matte
- ▶ Bar tailgate in chrome



## Trim lines | A4

### S line (standard equipment over and above standard trim)



- ▶ 18-inch cast aluminium wheels
- ▶ Front sills with aluminium inserts, illuminated, with S lettering
- ▶ S line emblem on the front fenders
- ▶ Widened side skirts in body colour
- ▶ Sports suspension
- ▶ S line-specific radiator grille painted in titanium black
- ▶ Frame of grille in chrome
- ▶ Side air inlets matt black grained with insert in matt aluminium silver
- ▶ S line-specific rear diffuser in titanium black matt
- ▶ Rear trim in aluminium silver matt
- ▶ Bar tailgate in chrome





## Standard Equipment | A4 Standard

### Wheels:

- ▶ Alloy wheels, 5-parallel-spoke style, 7.5J x 17, 225/50 R17 tyres
- ▶ Anti-theft wheel bolts
- ▶ Space-saving spare wheel
- ▶ Tyre pressure monitoring display

### Performance & suspension:

- ▶ Audi Drive Select
- ▶ Cruise control
- ▶ Electromechanical power steering
- ▶ Hill hold assist
- ▶ Speed limiter
- ▶ Standard suspension
- ▶ Start/stop system

### Lighting:

- ▶ LED headlamps (part of lighting package for 35 TFSI)
- ▶ Interior ambient lighting
- ▶ LED rear combination lamps with dynamic indicators (part of lighting package for 35 TFSI)
- ▶ Light / rain sensor
- ▶ Separate daytime running lights

### Exterior Equipment:

- ▶ Body-coloured exterior mirror housings
- ▶ Exterior mirrors, power-adjustable and heated
- ▶ Luggage compartment lid, automatically opening
- ▶ Parking aid front and rear

### Audio & Communications:

- ▶ 8 Speakers
- ▶ Audi connect Car2X services  
(Includes safety and service features in the event of damage, breakdown or minor accidents. Enables an emergency call or roadside assistance directly from module located in the roof of the vehicle in order to access emergency services support. Also includes security and convenience services such as remote functions (model-dependent) that network the vehicle with a smartphone through the myAudi app. Features include car finder, remote lock/unlock, geo-fencing, speed alert and theft/alarm notification. Services only supported in South Africa.)
- ▶ Audi smartphone interface
- ▶ Bluetooth interface
- ▶ Driver information system with colour display

### Interior Equipment:

- ▶ Automatic air conditioning system

- ▶ Anti-theft alarm system
- ▶ Auto-dimming interior rearview mirror, frameless
- ▶ Comfort center armrest in front
- ▶ Dashboard accent surfaces painted in matte black
- ▶ Decorative inserts in Silver Gray Diamond Paint
- ▶ Driver and front passenger airbag with front passenger airbag deactivation
- ▶ First aid kit with warning triangle and safety vests
- ▶ Floor mats in front and rear
- ▶ Front seats manually adjustable
- ▶ Head restraints in front
- ▶ Headliner in cloth
- ▶ ISOFIX child seat anchors and top tether for outer rear seats
- ▶ Leather/leatherette seat upholstery
- ▶ Leather-wrapped steering wheel, 3-spoke, with multi-function Plus
- ▶ Luggage compartment floor mat
- ▶ Non-smoker package
- ▶ Scuff plates with aluminium inserts in front
- ▶ Side airbags in front and curtain airbag system
- ▶ Split-folding rear seat backrest
- ▶ Standard seats in front
- ▶ Sun visor on driver and front passenger side
- ▶ Tool kit and jack



## Standard Equipment | S4

### Wheels:

- ▶ Alloy wheels, 5-double-spoke V-style (S style), Graphite Grey, diam.-turned, 8.5J x 19
- ▶ Anti-theft wheel bolts
- ▶ Space-saving spare wheel
- ▶ Tyre pressure monitoring display

### Performance & suspension:

- ▶ Audi Drive Select
- ▶ Cruise control
- ▶ Electromechanical power steering
- ▶ Hill hold assist
- ▶ quattro with self-locking centre differential
- ▶ S sports suspension
- ▶ Speed limiter
- ▶ Standard suspension
- ▶ Start/stop system

### Lighting:

- ▶ Interior contour ambient lighting
- ▶ LED headlamps
- ▶ LED rear combination lamps with dynamic indicators
- ▶ Separate daytime running lights

### Exterior Equipment:

- ▶ Audi pre sense basic

- ▶ Exterior mirror housings in aluminium look
- ▶ Exterior mirrors, power-adjustable and heated
- ▶ High-gloss styling package
- ▶ Parking aid front and rear

### Audio & Communications:

- ▶ Audi connect Car2X services  
(Includes safety and service features in the event of damage, breakdown or minor accidents. Enables an emergency call or roadside assistance directly from module located in the roof of the vehicle in order to access emergency services support. Also includes security and convenience services such as remote functions (model-dependent) that network the vehicle with a smartphone through the myAudi app. Features include car finder, remote lock/unlock, geo-fencing, speed alert and theft/alarm notification. Services only supported in South Africa.)
- ▶ Audi smartphone interface
- ▶ Audi sound system
- ▶ Audi virtual cockpit Plus
- ▶ Bluetooth interface

### Interior Equipment:

- ▶ 3-zone automatic air conditioning system

- ▶ 4-way lumbar support for the front seats
- ▶ Anti-theft alarm system
- ▶ Auto-dimming interior rearview mirror, frameless
- ▶ Comfort centre armrest in front
- ▶ Dashboard accent surfaces painted in matte black
- ▶ Decorative inserts in matte brushed aluminium
- ▶ Driver and front passenger airbag with front passenger airbag deactivation
- ▶ Electric front seats
- ▶ First aid kit with warning triangle and safety vests
- ▶ Frequency Alcantara/leather combination with embossed "S" seat upholstery
- ▶ Head restraints in front
- ▶ Headliner in black cloth
- ▶ ISOFIX child seat anchors and top tether for outer rear seats
- ▶ Luggage compartment floor mat
- ▶ Non-smoker package
- ▶ Scuff plates with aluminium inserts in front, illuminated, with "S" logo
- ▶ Side airbags in front and curtain airbag system
- ▶ Split-folding rear seat backrest
- ▶ Sport seats in front
- ▶ Sports contour leather-wrapped steering wheel w/ multi-function Plus, 3-spoke, flat-bottomed
- ▶ Tool kit and jack



## Packages | A4

### Comfort package

- ▶ Storage and luggage Package
- ▶ Electric seats
- ▶ Seat heating
- ▶ Rear view camera

### Lighting package (only available on 35 TFSI)

- ▶ LED headlights with dynamic indicators
- ▶ Headlight washers
- ▶ High beam assist

### Sport package

- ▶ Flat-bottomed multifunction leather steering wheel, 3-spoke design with shift paddles
- ▶ Sport seats
- ▶ Black headlining

### Technology package

- ▶ MMI navigation plus with MMI touch
- ▶ Audi Connect (full functionality)
- ▶ Contour ambient lighting

Forces Audi virtual cockpit at additional cost

### Black styling package

- ▶ Black mirror housings
- ▶ Black accents in the Audi Singleframe grille
- ▶ Window panes in black
- ▶ Front and rear bumpers in black

Not applicable to the standard trim

### S line Interior package

- ▶ Accent surfaces painted in Glossy Black
- ▶ Headliner in Black fabric
- ▶ Pedals and foot rest in stainless steel
- ▶ Scuff plates with aluminium inserts in front, illuminated, with "S" logo
- ▶ Sports seats in front

Forces Fine Nappa leather with embossed "S" & Decorative inlays in matte brushed aluminium at an additional cost

Available for S4:

- Technology package
- Black styling package



Paint   A4/S4			35 TFSI / TDI Standard	35 TFSI / TDI Advanced	35 TDI S line	40 TFSI Standard	40 TFSI Advanced	40 TFSI S line	S4 TFSI
Z9Z9		Arkona White, solid	No cost	No cost	No cost	No cost	No cost	No cost	No cost
A2A2		Brilliant Black, solid	No cost	No cost	---	No cost	No cost	---	---
9W9W		Ascari Blue, solid	---	---	No cost	---	---	No cost	No cost
Z7Z7		Chronos Grey, metallic	---	---	No cost	---	---	No cost	No cost
L5L5		Florett Silver, metallic	No cost	No cost	---	No cost	No cost	---	---
2Y2Y		Glacier White, metallic	No cost	No cost	No cost	No cost	No cost	No cost	No cost
H1H1		Manhattan Grey, metallic	No cost	No cost	---	No cost	No cost	---	---
0E0E		Myth Black, metallic	No cost	No cost	No cost	No cost	No cost	No cost	No cost
2D2D		Navarra Blue, metallic	No cost	No cost	No cost	No cost	No cost	No cost	No cost
6Y6Y		Daytona Grey, pearlescent	---	---	R 13,900	---	---	R 13,900	R 13,900
Y1Y1		Progressive red, metallic	No cost	No cost	No cost	No cost	No cost	No cost	No cost
M4M4		District green, metallic	No cost	No cost	No cost	No cost	No cost	No cost	No cost
Q0Q0		Audi exclusive paint finish*	R 50,000	R 50,000	R 50,000	R 50,000	R 50,000	R 50,000	R 50,000

Options are subject to availability and may extend time taken for delivery. All the colour swatches on this page are matched as accurately as possible to the actual paint colours used.

Audi South Africa cannot guarantee that colours shown are 100% accurate. Visit your local Audi Centre for a more accurate colour swatch.

\*Audi exclusive paint is subject to factory approval. Visit your local Audi Centre for colour samples.



Wheels & tyres   A4/S4		35 TFSI / TDI Standard	35 TFSI / TDI Advanced	35 TDI S line	40 TFSI Standard	40 TFSI Advanced	40 TFSI S line	S4 TFSI
F43	Audi Sport cast alloy wheels, 10-spoke turbine style, Platinum Gray, diamond-turned, 8.5Jx19 with model-specific tyres	R 29,000	R 19,000	R 17,300	R 29,000	R 19,000	R 17,300	R 3,000
45S	Audi Sport cast alloy wheels, 5-double-spoke style, 8.0J x 18 with 245/40 R18 tyres	R 16,700	R 7,500	R 5,300	R 16,700	R 7,500	R 5,300	---
CB5	Cast alloy wheels, 5-spoke dynamic style, Graphite Gray, diamond-turned, 8.0J x 18 with 245/40 R18 tyres	R 11,300	R 2,400	R 2,400	R 11,300	R 2,400	R 2,400	---
47E	Audi Sport cast alloy wheels, 5-V-spoke star style, Matte Titan. Gray, diam.-turn., 8.5Jx19 with model-specific tires	R 29,000	R 19,000	R 17,300	R 29,000	R 19,000	R 17,300	R 3,000

17"



C7R  
Std on Standard trim

18"



C4Q  
Std on Advanced trim



C5Y  
Std on S line trim



45S



CB5

19"



42X  
Std on S4



F43



47E







## Optional equipment | A4/S4

Equipment packages:		35 TFSI / TDI Standard	35 TFSI / TDI Advanced	35 TDI S line	40 TFSI Standard	40 TFSI Advanced	40 TFSI S line	S4 TFSI
WDP	<b>Technology package</b> <ul style="list-style-type: none"> <li>MMI navigation plus with MMI touch</li> <li>Audi Connect Infotainment services – includes live and integrated Google Earth navigation, T.I, POI and weather. (Services only supported in S.A.)</li> <li>Contour ambient lighting</li> </ul> Note: forces Audi virtual cockpit at an additional cost	R 21,000	R 21,000	R 21,000	R 21,000	R 21,000	R 21,000	R 32,300
4ZP	<b>Black Appearance package Plus</b>	---	R13,100	---	R13,100	R13,100	---	R13,100
<b>Lighting:</b>								
PXC	<b>Matrix LED headlights</b> Provides precise illumination of the road whilst reducing the risk of dazzling other road users. Using information obtained from the vehicle's sensors, camera and MMI Navigation (if equipped), it identifies the appropriate lighting required. Matrix LED dips or fully extinguishes individual lighting diodes when vehicles are detected ahead. Matrix LED calculates the appropriate lighting required and automatically dips or turns off individual lighting diodes, creating corridors of light either side of the vehicle or the object in front of it. Includes dynamic front and rear indicators which sweep from inside to out.	R 24,000	R 24,000	R 24,000	R 9,050	R 9,050	R 9,050	R 9,050
PX2	<b>LED headlights</b> LED headlights with LED rear lights and rear dynamic indicators.	(W1G)	(W1G)	S	S	S	S	S
9TF	<b>Door entrance LED lighting with logo projector in front</b> Window panes in high gloss aluminium	R2,150	R2,150	R2,150	R2,150	R2,150	R2,150	R2,150



## Optional equipment | A4/S4

<b>Mirrors:</b>		<b>35 TFSI / TDI Standard</b>	<b>35 TFSI / TDI Advanced</b>	<b>35 TDI S line</b>	<b>40 TFSI Standard</b>	<b>40 TFSI Advanced</b>	<b>40 TFSI S line</b>	<b>S4 TFSI</b>
6XK	<b>Electric door mirrors (folding with auto-dimming on both sides)</b> Auto-dimming, electrically folding, adjustable and heated with built-in LED side indicators and kerb-view function for passenger side.	R 5,300	R 5,300	R 5,300	R 5,300	R 5,300	R 5,300	---
6XL	<b>Electric door mirrors (folding with auto-dimming and memory function)</b> Auto-dimming with memory function, electrically folding, adjustable and heated with built-in LED side indicators & kerb-view function for passenger side. Only avail. in combination with electrically adjustable front seats with memory function (PV3)	---	---	---	---	---	---	R 7,100
YKO	<b>Carbon exterior mirror housings</b> Mirror housings in high-quality carbon add a sporty touch.	R 10,100	R 10,100	R 10,100	R 10,100	R 10,100	R 10,100	R 10,100
<b>Roof/locking/towing systems:</b>								
3FE	<b>Glass sunroof</b> This sunroof comprises of a single glass section, which raises and opens electrically. Includes a manually adjustable sunshield and convenience closing via the central locking remote control.	R 16,550	R 16,550	R 16,550	R 16,550	R 16,550	R 16,550	R 16,550
PGD	<b>Comfort key with sensor-controlled luggage compartment unlocking including anti-theft alarm system</b> Allows the driver to keep their key in their pocket or bag at all times. To unlock and open, simply lift the exterior door handle. Pressing the start/stop button integrated in the centre console, switches the engine on and off.	R 9,100	R 9,100	R 9,100	R 9,100	R 9,100	R 9,100	S
1D4	<b>Trailer towing hitch</b> Manually swivelling ball head with electric release. Operated via a button in the luggage compartment.	R 15,300	R 15,300	R 15,300	R 15,300	R 15,300	R 15,300	R 15,300



## Optional equipment | A4/S4

Interior:		35 TFSI / TDI Standard	35 TFSI / TDI Advanced	35 TDI S line	40 TFSI Standard	40 TFSI Advanced	40 TFSI S line	S4 TFSI
9AQ	<p><b>Three-zone comfort automatic air-conditioning</b> Climate control unit with large TFT display and capacitive toggle buttons electronically regulates the air temperature and distribution individually for the driver and front passenger. Additional climate control unit for setting the temperature in the rear compartment in the rear center console automatic air circulation control Dust and odor separating cabin filter, which ensures that the vehicle interior is less exposed to dust particles, odors and allergens</p>	R 10,700	R 10,700	R 10,700	R 10,700	R 10,700	R 10,700	S
QE1	<p><b>Storage and luggage compartment package</b> Includes the following items in the car:</p> <ul style="list-style-type: none"> <li>• Storage net on the back of the front seat backrests</li> <li>• Storage compartment on driver's side</li> <li>• Lockable glovebox</li> <li>• Cup holder in the rear center armrest (with foldable backrest 40:20:40)</li> <li>• Luggage compartment net</li> <li>• 12 volt socket</li> <li>• Net in hollow on the left and right of luggage compartment</li> <li>• A bag hook in the luggage compartment</li> </ul> <p>(individual option price, if not ordered as part of comfort package)</p>	R3,800	R3,800	R3,800	R3,800	R3,800	R3,800	R3,800
1XP	<p><b>Leather steering wheel in 3 spoke design with multifunction plus and steering wheel heating</b> Used in combination with Assistance systems (PCE)</p>	---	---	---	---	---	---	No Cost







## Optional equipment | A4/S4

Seats upholstery and Inlays:		35 TFSI / TDI Standard	35 TFSI / TDI Advanced	35 TDI S line	40 TFSI Standard	40 TFSI Advanced	40 TFSI S line	S4 TFSI
N5J	<b>Dinamica® microfiber/leather combination</b> The addition of Dinamica upholstery with leather enhances the styling on your seats, offers additional grip for sportier driving and at the same time provides added comfort across the seasons. Seat centre, two outer rear seats and door inserts in Dinamica. Seat side bolsters, head restraints, middle rear seat in leather. Front centre armrest in leatherette.	R 3,800	R 3,800	R 3,800	R 3,800	R 3,800	R 3,800	---
N5K	<b>Dinamica® microfiber "Frequenz"/leather combination with embossed "S"</b>	R 8,000	R 8,000	R 8,000	R 8,000	R 8,000	R 8,000	---
N3M	<b>Fine Nappa leather with S embossing on front seat backrests</b> Upgrade your seats to the highest quality, supple Fine Nappa leather which is breathable, durable and features a natural fine grain. Seat upholstery, head restraints, and front centre armrest in Fine Nappa leather. Door trim inserts in Alcantara. (Forces S line interior package (WQS) at an additional cost)	R 5,150	R 5,150	R 5,150	R 5,150	R 5,150	R 5,150	R 5,150
7HB	<b>Interior element in leatherette</b> Lower center console and armrest in the doors leatherette	R 4,500	R 4,500	R 4,500	R 4,500	R 4,500	R 4,500	R 4,500
5TG	<b>Decorative inlays in matte brushed aluminium</b> For dashboard and door trims. Forces S line interior package WQS	R 4,150	R 4,150	R 4,150	R 4,150	R 4,150	R 4,150	---
5MB	<b>Decorative inlays in carbon twill</b> For dashboard and door trims.	---	---	---	---	---	---	R 18,900



## Optional equipment | A4/S4

Audio and communications:		35 TFSI / TDI Standard	35 TFSI / TDI Advanced	35 TDI S line	40 TFSI Standard	40 TFSI Advanced	40 TFSI S line	S4 TFSI
9ZE + GB1	<b>Audi phone box</b> Offers wireless charging with Qi enabled compatible phones and creates an additional Bluetooth interface for a second device which means two mobile phones can be connected to the vehicle simultaneously.	R 6,200	R 6,200	R 6,200	R 6,200	R 6,200	R 6,200	R 6,200
9VD	<b>Audi sound system</b> Impressive sound with 10 loudspeakers including centre speaker in the dashboard, a subwoofer in the spare wheel well and a 6-channel amplifier with a total output of 180 watts.	R 4,850	R 4,850	R 4,850	R 4,850	R 4,850	R 4,850	S
9VS	<b>Bang and Olufsen Premium sound system with 3D sound</b> Bang & Olufsen Sound System offers extraordinary 3D sound experiences with 19 speakers (including center speaker / subwoofer and additional 3D sound tweeters and mid-range speakers), 16-channel amplifier (755 watts), Front speaker lighting, speed-dependent volume adjustment and Spatial sound reproduction thanks to the new 3D sound feature: This is generated by additional speakers in the A-pillar, the mid-range speakers and the Fraunhofer Symphoria technology.	R 17,200	R 17,200	R 17,200	R 17,200	R 17,200	R 17,200	R 17,200
9S9	<b>Audi virtual cockpit plus</b> A fully digital 12.3-inch instrument cluster in full HD resolution with additional graphic display options "dynamics" and "sport" in addition to the regular instrument display in "classic" design. The Audi virtual cockpit plus is operated via the multifunction steering wheel for the flexible display of information tailored to the driver's needs. Presentation of the navigation map as a 3D terrain model on the high-resolution 12.3-inch colour display with continuous display of navigation information in the area of the speedometer with active route guidance.	R 5,300	R 5,300	R 5,300	R 5,300	R 5,300	R 5,300	S
9JE	<b>USB charging interface for rear seat passengers</b>	R 1,200	R 1,200	R 1,200	R 1,200	R 1,200	R 1,200	R 1,200



## Optional equipment | A4/S4

<b>Assistance systems:</b>		<b>35 TFSI / TDI Standard</b>	<b>35 TFSI / TDI Advanced</b>	<b>35 TDI S line</b>	<b>40 TFSI Standard</b>	<b>40 TFSI Advanced</b>	<b>40 TFSI S line</b>	<b>S4 TFSI</b>
PCE	<b>Assistance package including Audi pre sense plus (with Adaptive cruise control, lane keeping system and multifunction camera)</b> Automatic distance regulation, using radar sensors to maintain the required distance between vehicles ahead by braking and accelerating. In conjunction with S tronic or Tiptronic, includes Stop&Go function, where the system brakes the car to a stop. The driver can select from 5 distance thresholds and influence the systems acceleration behaviour via Audi Drive Select. Also features Traffic-jam assist which detects vehicles ahead and on adjacent lanes to assist with the braking, acceleration and also steering up to approximately 60km/h, to keep the vehicle in lane.	R 34,000	R 34,000	R 34,000	R 34,000	R 34,000	R 34,000	R 34,000
PCZ	<b>City and Parking Assistance Package</b> (Includes, Audi pre sense rear, Audi side assist, Park assist with front and rear view camera and two side cameras). This package includes the latest technology to provide help in busy traffic situations, when changing lane, exiting your car and when reversing – for the convenience and protection of all occupants. Includes rear cross-traffic assist, which warns the driver of traffic crossing behind their own vehicle when reversing.	R 37,300	R 37,300	R 37,300	R 37,300	R 37,300	R 37,300	R 37,300
PCH	<b>Audi lane change assist including Audi Pre-sense rear</b> Aids the driver when changing lane by monitoring the area behind the car. It informs the driver with a visual warning signal in the door mirror if there is a vehicle in their blind spot. Also includes Audi Pre-sense Basic that, where necessary, takes action to help protect the driver and passengers if a potential collision is detected. While Audi Pre-sense Rear monitors vehicles following from behind and if a potential collision is detected the driver is first warned visually via flashing light, then Audi Pre-sense Basic measures are initiated. The system is deactivated when towing.	R 12,500	R 12,500	R 12,500	R 12,500	R 12,500	R 12,500	R 12,500
KS1	<b>Head-up display</b> Projects warning messages or driving-related information from assistance systems and the navigation system (if ordered) in full colour onto the windscreen in the driver's direct field of vision, giving the driver faster access to information. The display can also be adjusted in height	---	---	---	---	---	---	R 18,500



## Optional equipment | A4/S4

<b>Assistance systems continued:</b>		<b>35 TFSI / TDI Standard</b>	<b>35 TFSI / TDI Advanced</b>	<b>35 TDI S line</b>	<b>40 TFSI Standard</b>	<b>40 TFSI Advanced</b>	<b>40 TFSI S line</b>	<b>S4 TFSI</b>
KA2	<b>Rearview camera</b> An image of the area behind the vehicle is shown in the MMI display with dynamic display modes highlighting the calculated path or steering angle (individual option price, if not ordered as part of comfort package)	R 7,700	R 7,700	R 7,700	R 7,700	R 7,700	R 7,700	R 9,800
<b>Suspension, brakes &amp; safety:</b>								
1BE	<b>Sports suspension</b> Lowered by 20mm, with stiffer suspension and damping for more direct contact with the road and sportier handling.	R 5,300	R 5,300	R 5,300	R 5,300	R 5,300	R 5,300	---
GH2	<b>quattro® with sports differential</b> The electronically regulated Sport differential distributes variable amounts of driving force to each rear wheel, improving stability and agility, especially when cornering. It ensures better direct steering characteristics and, thanks to less steering effort, more agile handling.	---	---	---	---	---	---	R 25,500
4X4	<b>Rear side airbags</b> For the outer rear seats, incorporated into the seat backrests; supplements the side impact protection in the doors and the standard airbag systems.	R 5,450	R 5,450	R 5,450	R 5,450	R 5,450	R 5,450	R 5,450



## Important information

### Welcome to Audi

#### **Audi Freeway Plan | Motoring Peace of Mind**

There can be no better motoring peace of mind than knowing that your car will be serviced, maintained and repaired, should this prove necessary, at no cost to you. Thanks to Audi Freeway Plan, that peace of mind could be yours.

The Audi Freeway Plan absorbs all maintenance and service costs, with the exception of between-service top-up fluids, fuel, cracked or broken glass, and tyres.

Recommended retail pricing is inclusive of an optional 5 year/100,000 km Audi Freeway Plan on all new Audi vehicles.

Top-up options to extend maintenance are available at extremely competitive rates. Audi has specially designed the Audi Freeway Plan for easy operation on the part of the owner. Making an appointment with any one of our approved Audi Servicing Dealers can effect regular servicing and maintenance as well as repairs (with the exception of accident damage).

All work is handled by the relevant service department, which will liaise directly with the Audi Freeway Plan Maintenance Unit. No extra effort or payment is required from the Audi owner. The Audi Freeway Plan is registered with the vehicle and as such is transferable to the new owner should the car be sold before the Audi Freeway Plan has expired, giving added resale value. The Audi Freeway Plan is available in addition to Audi's standard one-year/unlimited distance vehicle warranty. The Audi Freeway Plan is subject to certain exclusions, covers any repairs necessary after the expiry of the standard warranty.

#### **Audi Assist | Emergency and Personal Assistance**

Audi Assist is a programme whereby Audi of South Africa and its Dealer Network pledge to provide you with peace of mind motoring by providing the infrastructure to support a countrywide emergency service 24 hours a day, every day.

The programme is known as Audi Assist and operates within the borders of South Africa as well as Namibia and Botswana. The objective of the programme is to ensure on the spot roadside assistance offered by a fully equipped and trained Audi technician.

The primary focus is to get you mobile in your own vehicle. Where a roadside repair cannot be effected and the vehicle needs to be towed to the nearest Audi dealer, you and the occupants of the vehicle will be transported to a place of safety in the dealer's roadside assistance vehicle.

Contact details within South Africa:  
086 043 4838

Contact details for neighbouring states:  
+27 41 994 5616

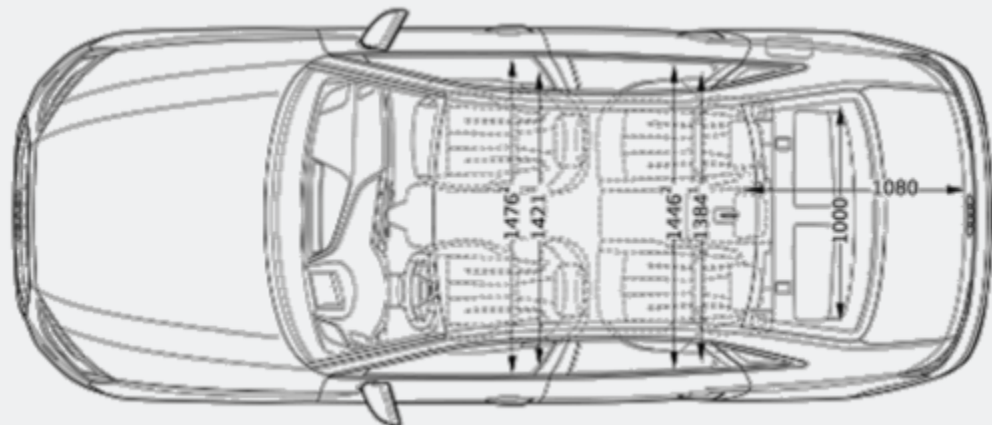
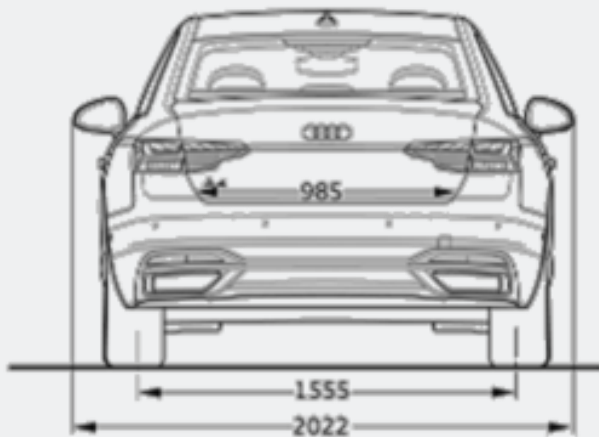
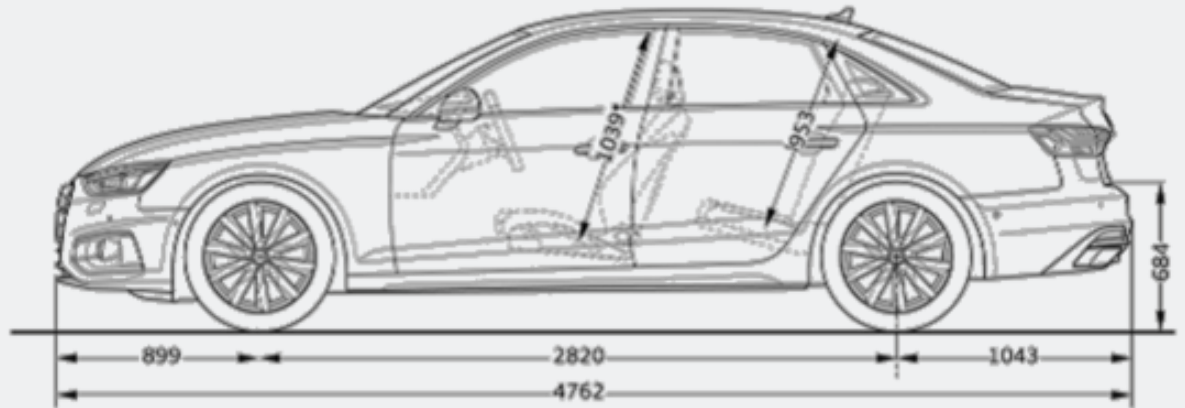
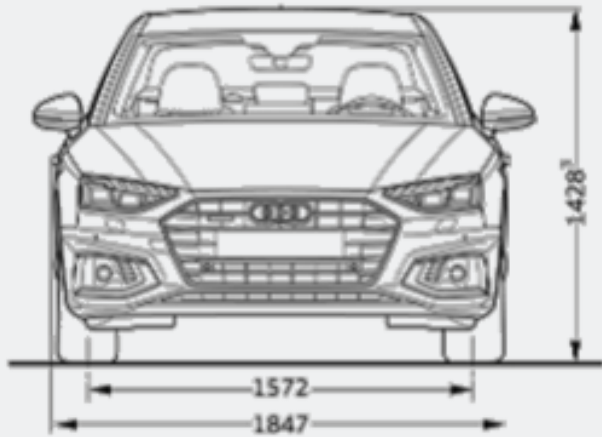
24 hours a day, 7 days a week  
Vehicle model and VIN number will be required.





## Audi A4 Sedan Dimensions

All the measurements you need



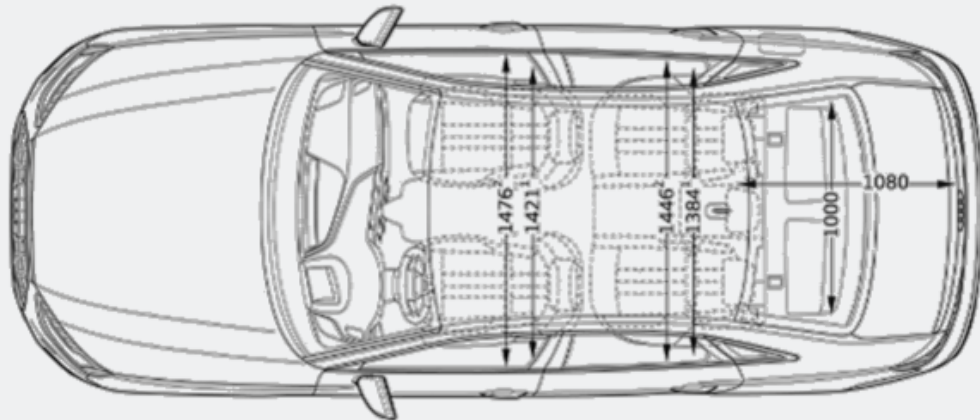
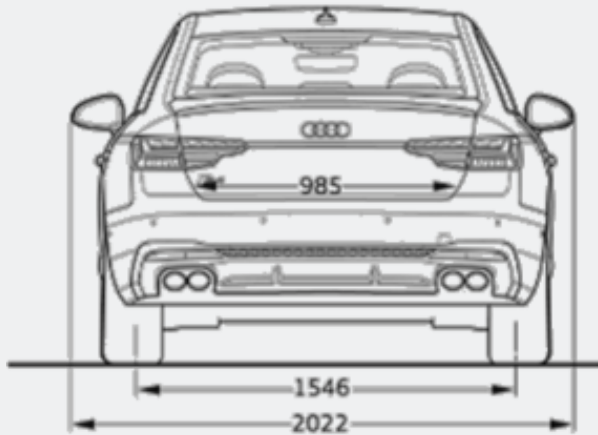
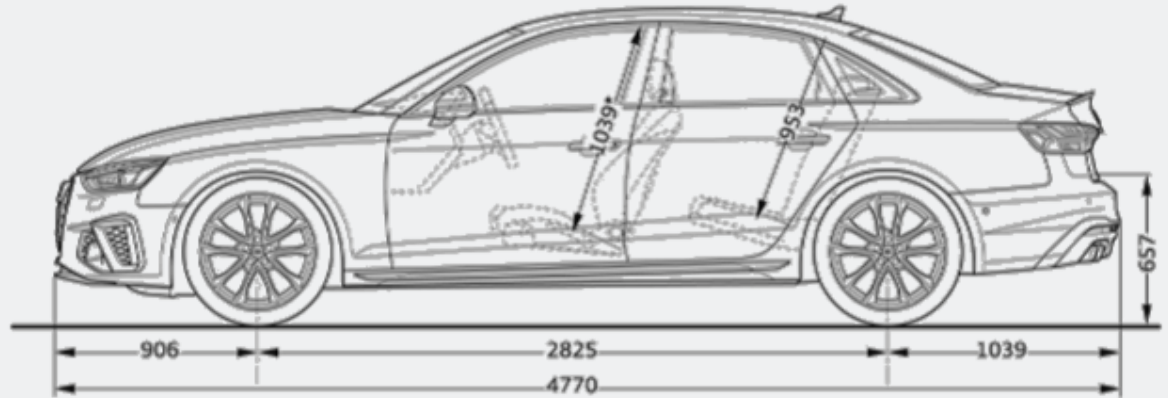
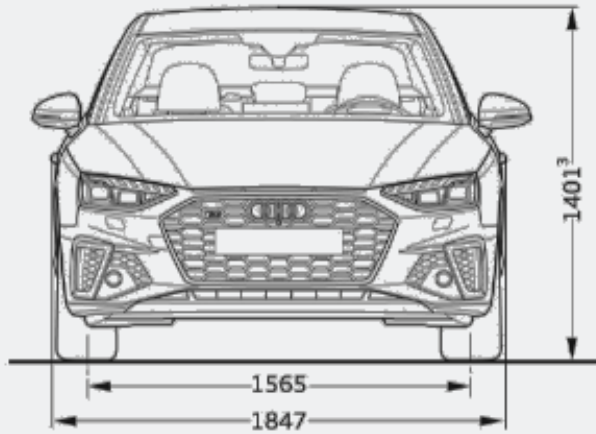
Audi A4 luggage compartment capacity:  
460l - nominal position

# A4|S4



## Audi S4 Sedan Dimensions

All the measurements you need



Audi S4 luggage compartment capacity:  
420l - nominal position



# A4|S4



## Information in this pricelist

We've done all we can to make the prices, specifications, technical details and all other information you see in this pricelist accurate at the time of publication. We reserve the right to change prices or specification at any time. All prices shown include VAT, which is currently charged at 15%. Recommended retail pricing is not binding on the dealer and is inclusive of an optional 5 year/100,000km Audi Freeway Plan.

Please check model availability and full specification details with your Audi Dealership prior to ordering. Neither Audi South Africa nor Audi Dealers can accept contractual responsibility for your reliance on the information contained in this pricelist. Performance figures and specifications relating to Audi vehicles are indicative only and performance cannot be guaranteed. Performance figures and specifications may be updated from time to time, when new test results or other information become available. Your local Audi Dealership can always provide you with the most up-to-date information available. Written and visual depictions (including photographs) of vehicles, are for illustrative purposes only and should not be relied upon. Some illustrations may not accurately reflect South African specifications (including paint and trim colours) and may not be available. If in doubt, always contact your local Audi Dealership.