

 **RS Q8**

April 2024

The Audi RS Q8

The most powerful SUV coupé from Audi Sport: the RS Q8 with 441kW of power. In addition to its RS performance, this impressive vehicle is capable of extraordinary transformations – both in its driving experience and in its design.

This pricelist will make it easy for you to build your RS Q8, taking you through all the model and option choices. The online configurator is also available to build your dream car.





Engine and Pricing | RS Q8

Engine	Fuel type	Transmission	Power output (kW)	Torque (Nm)	Fuel consumption (l/100 km)			CO ₂ emissions (g/km)	0 – 100 km/h (sec)	Top speed (km/h)	RRP*
					Urban	Extra urban	Combined				
RS Q8 TFSI quattro	Petrol	tiptronic	441	800	16.9	9.3	12.1	283	3.8	250	R 2,762,900

Fuel consumption and CO₂ data applies to the German Market. The specified values are determined in accordance with certain test procedures. The specifications do not refer to an individual vehicle but serve only as a basis for comparing the different types of vehicles. In addition, the consumption figures achieved during normal driving may differ from the test values, depending in particular on special equipment fitted, vehicle loading, personal driving style, road and traffic conditions, environmental factors and conditions of the car.

* RRP is inclusive of VAT, CO₂ emissions tax and an optional 5 year/100,000km Audi Freeway Plan



Standard Equipment | RS Q8

Wheels:

- ▶ Audi Sport alloy wheels, 5-Y-spoke rotor style, Black, 10.5J x 23, 295/35 R23 tyres
- ▶ Anti-theft wheel bolts
- ▶ RS steel brakes in rear with red brake calipers
- ▶ Tyre mobility system
- ▶ Tyre pressure monitoring system

Exterior equipment:

- ▶ Exterior mirror housings in black*
- ▶ Exterior mirrors, power-adjustable, heated and folding, auto-dimming on both sides, with memory feature
- ▶ Black styling package*
- ▶ Singleframe mask in black*
- ▶ Panoramic glass sunroof
- ▶ RS bumpers in body colour (full paint finish)
- ▶ RS exterior parts in black*
- ▶ RS roof spoiler
- ▶ RS scuff plates
- ▶ Trailer hitch

Interior equipment:

- ▶ 360-degree cameras
- ▶ 4-way lumbar support for the front seats
- ▶ 4-zone climate control system
- ▶ Ambient lighting package plus
- ▶ Auto-dimming interior rearview mirror, frameless
- ▶ Comfort centre armrest in front
- ▶ Comfort key with sensor-controlled luggage compartment release
- ▶ Decorative inserts Aluminium Race, Anthracite
- ▶ Driver and front passenger airbag with front passenger airbag deactivation
- ▶ Electric luggage compartment cover
- ▶ Electric steering wheel adjustment
- ▶ Fuel tank with increased volume
- ▶ Gloss black operating buttons with haptic feedback and aluminium look interior
- ▶ Headliner in black fabric
- ▶ ISOFIX child seat anchors and top tether for the rear bench seat
- ▶ ISOFIX child seat anchors for front passenger seat
- ▶ Leather-wrapped steering wheel, 3-spoke, with multi-function Plus and steering wheel heating

Interior equipment: cont..

- ▶ Luggage compartment lid, electrically opening and closing
- ▶ Pedals and footrest in stainless steel
- ▶ Perforated Valcona Leather package with honeycomb stitching
- ▶ Power front seats with memory feature
- ▶ Power latching for the doors
- ▶ Rear bench seat plus
- ▶ Seat heaters in front
- ▶ Seat ventilation in front
- ▶ RS sports seats in front
- ▶ Stainless steel loading edge protection
- ▶ Upper and lower interior elements in leather

Lighting:

- ▶ HD Matrix LED headlamps with dynamic light design and dynamic turn signal



Standard Equipment | RS Q8 continued...

Performance, suspension & assistance systems:

- ▶ 48-V electric system and active battery cooling
- ▶ adaptive air suspension sport
- ▶ Adaptive cruise control with speed limiter, efficiency assist, swerve assist and turn assist
- ▶ All-wheel steering
- ▶ Audi pre sense rear
- ▶ Lane change assistant with exit warning system and rear cross traffic alert
- ▶ Lane departure warning with emergency assist
- ▶ Park assist plus
- ▶ quattro (with self-locking centre differential)
- ▶ RS sports exhaust system

Audio & communication:

- ▶ Audi connect Emergency Call & Service with Audi connect Remote & Control
- ▶ Audi connect Navigation & Infotainment
- ▶ Audi music interface in the rear seat area
- ▶ Audi phone box
- ▶ Audi smartphone interface
- ▶ Audi virtual cockpit with RS layout
- ▶ Bang & Olufsen premium sound system with 3D sound
- ▶ Head-up display
- ▶ USB ports with charging function in rear



Paint | RS Q8

			RS Q8
Y4Y4		Dragon Orange Metallic	R 4,620
F0F0		Satellite Silver Metallic	R 4,620
D6D6		Waitomo Blue Metallic	R 4,620
2Y2Y		Glacier White Metallic	R 4,620
2D2D		Navarra Blue Metallic	R 4,620
0E0E		Myth Black Metallic	R 4,620
T7T7		Matador Red Metallic	R 4,620
6Y6Y		Daytona Grey Pearlescent	R 18,370
T3T3		Nardo Grey	No cost
Q0Q0		Individual paint finish, Audi exclusive	R 83,000



Wheels & tyres | RS Q8

		RS Q8
C2X	Audi Sport alloy wheels, 5-Y-spoke rotor style, Black, 10.5J x 23, 295/35 R23 tyres	S
52S	Audi Sport alloy wheels, 5-Y-spoke rotor style, Anthracite Black, diamond-turned, 10.5J x 23, 295/35 R23 tyres	R 5,000
52R	Audi Sport alloy wheels, 5-Y-spoke rotor style, Matte Titanium Gray, diamond-turned, 10.5J x 23, 295/35 R23 tyres	R 5,000

23"



Standard



52S



52R



Optional extras | RS Q8

<u>Equipment packages:</u>		RS Q8
4ZB + 6FC + FY6 + 5L1	Matte aluminium styling package Replaces the standard black styling package. Includes RS exterior parts in matte aluminium, exterior mirror housings in aluminium, singleframe mask in manhattan grey.	No cost
PQA	Carbon/black styling package RS exterior content at the front with large air inlets in gloss black & front spoiler and single-frame mask in gloss carbon; rear diffuser insert in gloss black and horizontal bar & trim on the luggage compartment lid below the light strip in carbon gloss; Decorative strips on the side windows in gloss black, Audi rings and lettering in chrome - optionally available with Audi rings and lettering in gloss black (4ZP). Only available with black mirror housings (6FJ) or carbon mirror housings (6FQ) at additional cost.	R 106,000
4ZP	Black Appearance package Plus Audi rings at the front and rear and RS Q8 lettering in the radiator grille and on the boot lid in gloss black.	R 6,700
PEF	RS Styling package, red Includes: <ul style="list-style-type: none"> • Control elements in black Dinamica with contrasting stitching in express red • Selector lever in black Dinamic • Upper side of the instrument panel including head-up display cover and door panels in black Fine Nappa leather • Armrests in the doors in black Fine Nappa leather with contrasting stitching in express red • Centre console clasp in black Dinamica with contrasting stitching in express red • Seat belts in black with a red border • Floor mats in black with contrasting stitching in express red and RS logo on the front • Sports contour alcantara-wrapped multi-function plus steering wheel, 3-spoke, flat-bottomed Only available in conjunction with Electric sunshades (3Y6) at additional cost	R 42,500



Optional extras | RS Q8

Exterior equipment:		RS Q8
6FQ	Carbon exterior mirror housings	R 15,600
6FJ	Aluminium exterior mirror housings Only available in conjunction with matte aluminium styling package	No cost
3S1	Aluminium roof rails	R 6,270
3S2	Black roof rails	R 6,270
Interior equipment:		
3Y6	Electric sunshades for the rear side windows, manual sunshade for the rear window	R 13,400
4A4	Seat heaters in front and rear	R 6,270
4D8	Seat ventilation and massage feature in front	R 24,260
5MH	Decorative inserts in Matte Carbon Twill	R 22,400
2PF	Sports contour alcantara-wrapped multi-function plus steering wheel, 3-spoke, flat-bottomed Only available in conjunction with RS styling package (PEF) at additional cost.	No cost



Optional extras | RS Q8

<u>Infotainment and assistance systems:</u>		RS Q8
8RF	<p>Bang & Olufsen Advanced Sound System with 3D sound</p> <p>Sound playback via 23 loudspeakers including 3D sound at the front and rear with a total output of 1,920 watts; Loudspeakers, centre speakers and subwoofers each with their own separate power amplifier and exclusive loudspeaker covers made of aluminum and high-quality neodymium magnets; Centre speaker as well as two automatically extending acoustic lenses on the instrument panel for extremely detailed acoustic presentation at every seat; dynamic driving noise compensation; 23-channel BeoCore amplifier; spatial sound reproduction through the 3D sound feature in the front and rear: This is generated by additional broadband loudspeakers in the A-pillar and in the rear roof liner, by the mid-range speakers and by the new Fraunhofer Symphoria technology.</p>	R 81,390
6K8	<p>Audi pre sense front</p> <p>Audi pre sense front warns of collisions and reduces speed in an emergency. It uses the data from the front camera and calculates the likelihood of a rear-end collision; can warn of impending collisions within the system limits, depending on the situation and speed, and initiate appropriate braking. The system is active from approx. 5 km/h. Pedestrians and cyclists can be detected in a speed range of up to approx. 85 km/h and vehicles in a speed range of up to 250 km/h. If an impending front-end collision is detected, the system warns the driver optically, acoustically and haptically in a multi-stage concept. If necessary, braking assistance or full deceleration can be initiated in order to reduce the speed or avoid a collision under certain circumstances.</p>	R 6,150
9R1	<p>Night vision assistant</p> <p>The night vision assistant improves difficult visibility in the dark through electronic visualization of the area around the road. The system supports the driver when driving at night by displaying a thermal image of the surroundings. Recognized people and larger wild animals are highlighted in yellow in the driver information system.</p>	R 35,920
4X9	<p>Audi pre sense rear package</p> <p>The safety package includes a selection of functions that increase safety and comfort for rear seat passengers. Side airbags in the rear as a supplement to the front side airbags and the head airbag system offer additional protection. In the event of emergency braking and in extreme dynamic driving situations, preventive tightening of the seat belts is initiated in addition to the measures contained in Audi pre sense basic in order to reduce the shifting of the occupants in the rear.</p>	R 14,600



Optional extras | RS Q8

<u>Performance and brakes:</u>		RS Q8
PHZ	<p>Advanced suspension package</p> <p>Combination of chassis systems to increase driving dynamics and driving comfort, for an excellent driving experience. The package includes:</p> <ul style="list-style-type: none"> - Active roll stabilization: electromechanical with 48-volt partial electrical system; reduces body roll when cornering; Reduction of the roll angle by an active, electromechanical compensation unit on the torsion bars of the front and rear axles; Increased driving dynamics through active distribution of rolling moments between the front and rear axles - quattro with sport differential: permanent all-wheel drive with self-locking centre differential and sport differential on the rear axle. The classic rear axle differential has been expanded to include two superposition units with electronically controlled multi-plate clutches. The intelligent quattro strategy continuously calculates a distribution of the drive torque designed for excellent driving dynamics and distributes it actively and variably between the rear wheels. When steering or accelerating in a corner, the torque is predominantly directed to the outside wheel. In this way, the system can counteract the tendency to understeer at an early stage. With specific software adaptation to RS equipment. 	R 94,000



Important information

Welcome to Audi

Audi Freeway Plan | Motoring Peace of Mind

There can be no better motoring peace of mind than knowing that your car will be serviced, maintained and repaired, should this prove necessary, at no cost to you. Thanks to Audi Freeway Plan, that peace of mind could be yours.

The Audi Freeway Plan absorbs all maintenance and service costs, with the exception of between-service top-up fluids, fuel, cracked or broken glass, and tyres.

Recommended retail pricing is inclusive of an optional 5 year/100,000 km Audi Freeway Plan on all new Audi vehicles.

Top-up options to extend maintenance are available at extremely competitive rates. Audi has specially designed the Audi Freeway Plan for easy operation on the part of the owner. Making an appointment with any one of our approved Audi Servicing Dealers can effect regular servicing and maintenance as well as repairs (with the exception of accident damage).

All work is handled by the relevant service department, which will liaise directly with the Audi Freeway Plan Maintenance Unit. No extra effort or payment is required from the Audi owner. The Audi Freeway Plan is registered with the vehicle and as such is transferable to the new owner should the car be sold before the Audi Freeway Plan has expired, giving added resale value. The Audi Freeway Plan is available in addition to Audi's standard one-year/unlimited distance vehicle warranty. The Audi Freeway Plan is subject to certain exclusions, covers any repairs necessary after the expiry of the standard warranty.

Audi Assist | Emergency and Personal Assistance

Audi Assist is a programme whereby Audi of South Africa and its Dealer Network pledge to provide you with peace of mind motoring by providing the infrastructure to support a countrywide emergency service 24 hours a day, every day.

The programme is known as Audi Assist and operates within the borders of South Africa as well as Namibia and Botswana. The objective of the programme is to ensure on the spot roadside assistance offered by a fully equipped and trained Audi technician.

The primary focus is to get you mobile in your own vehicle. Where a roadside repair cannot be effected and the vehicle needs to be towed to the nearest Audi dealer, you and the occupants of the vehicle will be transported to a place of safety in the dealer's roadside assistance vehicle.

Contact details within South Africa:
086 043 4838

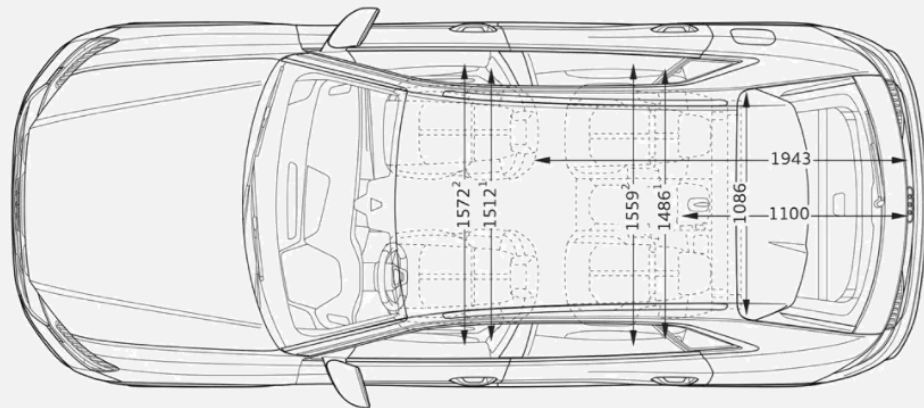
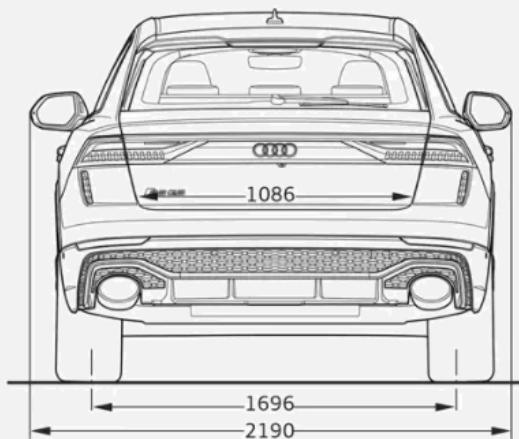
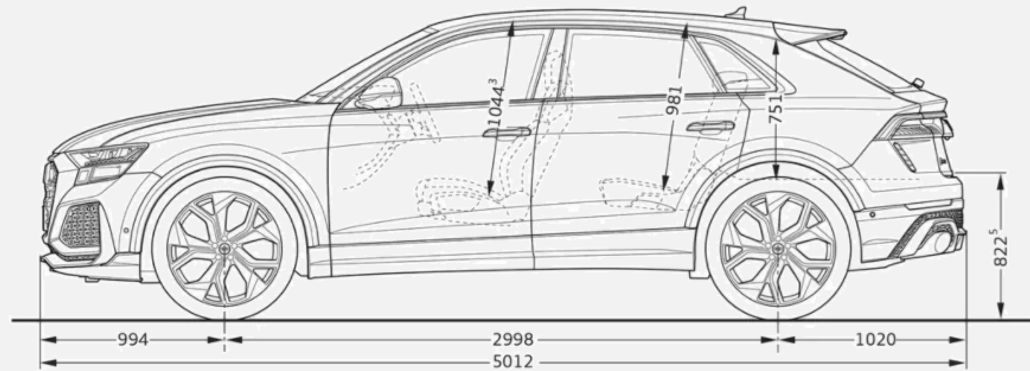
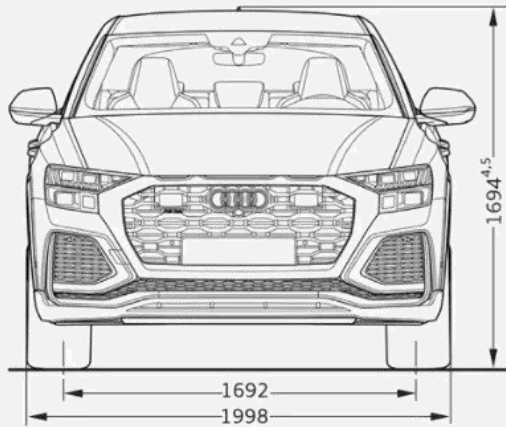
Contact details for neighbouring states:
+27 41 994 5616

24 hours a day, 7 days a week
Vehicle model and VIN number will be required.



RS Q8 dimensions

All the measurements you need



Luggage capacity = 605l-1755l

RS Q8



Information in this pricelist

We've done all we can to make the prices, specifications, technical details and all other information you see in this pricelist accurate at the time of publication. We reserve the right to change prices or specification at any time. All prices shown include VAT, which is currently charged at 15%. Recommended retail pricing is not binding on the dealer and is inclusive of an optional 5 year/100,000km Audi Freeway Plan.

Please check model availability and full specification details with your Audi Dealership prior to ordering. Neither Audi South Africa nor Audi Dealers can accept contractual responsibility for your reliance on the information contained in this pricelist. Performance figures and specifications relating to Audi vehicles are indicative only and performance cannot be guaranteed. Performance figures and specifications may be updated from time to time, when new test results or other information become available. Your local Audi Dealership can always provide you with the most up-to-date information available. Written and visual depictions (including photographs) of vehicles, are for illustrative purposes only and should not be relied upon. Some illustrations may not accurately reflect South African specifications (including paint and trim colours) and may not be available. If in doubt, always contact your local Audi Dealership.