

RS 3 Sportback

RS 3 Sedan

April 2024

The Audi RS 3 Sportback and Sedan.

The new Audi RS 3 offers driving dynamics on the highest level and optimum values in its segment. With a 294kW five-cylinder engine that generates 500 Nm of torque, the car ensures quick acceleration and a highly emotional sound. This is the first Audi ever to include the RS torque splitter, which variably distributes the torque between the rear wheels. In terms of looks, the RS 3 demonstrates its sporty genes with a widened body, the RS sport exhaust system and virtual cockpit displays resembling those used in motorsport.

This pricelist will make it easy for you to build your RS 3, taking you through all the option choices. The online configurator is also available to build your dream car.





Engines

Engine	Capacity	Fuel type	Transmission	Power output (kW)	Torque (Nm)	Fuel consumption (l/100 km)			CO ₂ emissions (g/km)	0 – 100 km/h (sec)	Top speed (km/h)	RRP*
						Urban	Extra urban	Combined				
RS 3 Sportback	2480	Petrol	S tronic	294	500	12.3	7.2	9.0	206	3.8	250	R 1,330,800
RS 3 Sedan	2480	Petrol	S tronic	294	500	12.3	7.1	9.0	205	3.8	250	R 1,360,800

Fuel consumption and CO₂ data applies to the German Market. The specified values are determined in accordance with certain test procedures. The specifications do not refer to an individual vehicle but serve only as a basis for comparing the different types of vehicles. In addition, the consumption figures achieved during normal driving may differ from the test values, depending in particular on special equipment fitted, vehicle loading, personal driving style, road and traffic conditions, environmental factors and conditions of the car.

* RRP is inclusive of VAT, CO₂ emissions tax and an optional 5 year/100,000km Audi Freeway Plan



Standard Equipment | RS 3 Sportback and Sedan

Wheels:

- ▶ 19" Audi Sport wheels, 10-spoke Y-style, Platinum Grey, diamond-turned
- ▶ Tyres: 265/30 R19 93Y XL in front, 245/35 R19 93Y XL in rear
- ▶ Tyre mobility system
- ▶ Tool kit and jack
- ▶ Anti-theft wheel bolts
- ▶ Direct tyre pressure monitoring system

Exterior equipment:

- ▶ Black styling package
- ▶ Exterior mirror housings in aluminium
- ▶ Exterior mirrors, power-adjustable, heated and power-folding, auto-dimming on both sides
- ▶ Gloss black RS exterior parts
- ▶ RS roof spoiler

Interior equipment:

- ▶ 12-V outlet in rear seat area
- ▶ 2-zone climate control system
- ▶ 4-way lumbar support for the front seats
- ▶ Airbags in front, with front passenger deactivation
- ▶ Ambient lighting package plus
- ▶ Audi virtual cockpit plus with additional RS layout
- ▶ Auto-dimming interior rearview mirror, frameless
- ▶ Centre armrest in front
- ▶ Child safety lock, electrically actuated
- ▶ Comfort key
- ▶ Decorative insert in Carbon Atlas Structure
- ▶ Dinamica microfibre/leatherette combination with diamond stitching and embossed "RS" logo
- ▶ First-aid kit with warning triangle
- ▶ Floor mats in front and rear
- ▶ Front head restraints
- ▶ Headliner in Black fabric
- ▶ Interior in aluminium look
- ▶ ISOFIX and top tether for outer rear seats
- ▶ Leather package
- ▶ Light/rain sensor
- ▶ Manual luggage compartment lid
- ▶ Non-smoker package

Interior equipment: cont..

- ▶ Pedal cluster in stainless steel
- ▶ Power driver seat
- ▶ Scuff plates in door apertures (illuminated)
- ▶ Side airbags in front and curtain airbag system
- ▶ Split-folding rear seat backrest
- ▶ Sports contour leather-wrapped multi-function Plus steering wheel, w/ shift paddles, 3-spoke, flat-bottomed
- ▶ Sports seats in front
- ▶ Storage and luggage compartment package
- ▶ Three rear head restraints
- ▶ Windshield with acoustic glass



Standard Equipment | RS 3 Sportback and Sedan (cont...)

Lighting:

- ▶ Darkened Matrix LED headlights with dynamic light design and dynamic turn signal
- ▶ Headlight washer system

Performance, suspension & assistance systems:












- ▶ Audi drive select
- ▶ Cruise control system
- ▶ Park assist with parking aid plus
- ▶ Progressive steering
- ▶ quattro
- ▶ Rear view camera system
- ▶ RS sports exhaust system
- ▶ Start/stop system

Audio & communication:

- ▶ Audi smartphone interface
- ▶ Audi connect Emergency Call & Service
- ▶ Bang & Olufsen premium sound system with 3D sound
- ▶ Audi virtual cockpit Plus
- ▶ Bluetooth interface
- ▶ MMI Radio plus



Paint | RS 3

			RS 3 Sportback	RS 3 Sedan
7R7R		Kyalami Green	No cost	No cost
2Y2Y		Glacier White Metallic	No cost	No cost
0E0E		Mythos Black Metallic	No cost	No cost
8R8R		Kemora Grey Metallic	No cost	No cost
R1R1		Python Yellow Metallic	No cost	No cost
L5L5		Floret Silver	No cost	No cost
2D2D		Navarra Blue	No cost	No cost
Y1Y1		Tango Red Metallic	No cost	No cost
N6N6		Turbo Blue	No cost	No cost
6Y6Y		Daytona Grey Pearlescent	R14,500	R14,500
Q0Q0		Individual paint finish, Audi exclusive	R 37,500	R 37,500



Wheels & tyres | RS 3

		RS 3 Sportback	RS 3 Sedan
52V	Audi Sport wheels, 5-spoke Y-style, Black with graphic print, 9.0J 8.0J x 19, 265/30 245/35 R19 tyres	R 12,700	R 12,700
52W	Audi Sport wheels, 5-spoke Y-style, Matte Black, 9.0J 8.0J x 19, 265/30 245/35 R19 tyres	R 11,000	R 11,000
H0L	Sports tyres P Zero Trofeo R by Pirelli, 265/30 245/35 R19 The innovative ultra-low-profile tyre for performance driving on dry asphalt. For a high level of grip and impressive lateral support. Only available in conjunction with 52W.	R 13,000	R 13,000

19"



Standard
52U



52V



52W



Optional extras | RS 3

Equipment packages:		RS 3 Sportback	RS 3 Sedan
PAK	Aluminium styling package Front spoiler in matt aluminium look with honeycomb grille in high-gloss black with large air intakes in black; front spoiler blade, side blades and diffuser insert in matt aluminium look.	R15,500	R15,500
4ZP	Black styling package plus Gloss black Audi rings, front and rear and RS 3 logo in the radiator protective grille and on the luggage compartment lid add striking accents for elegance and sportiness.	R7,000	R7,000
PEP	RS Styling package, Green The RS design package adds striking accents to the interior of the Audi RS 3 with details and contrasting stitching in micrommata green. These are a fitting extension of the sporty character of the equipment elements, either with the standard Dinamica microfibre/artificial leather combination upholstery, or the upgraded Fine Nappa leather. The steering wheel rim in black Alcantara has contrasting stitching and a 12 o'clock marker in micrommata green. The seat belts in black with green edge are another eye-catcher. Rounding off the RS design package are floor mats in black with contrasting stitching in micrommata green and RS logo on front mats.	R12,800	R12,800
PEE	RS Styling package plus, Green Additional accents in green offer an added upgrade to the interior of the Audi RS 3. These include seat shoulders in Dinamica microfibre in bright micrommata green as well as air vents with striking centre bar in micrommata green and controls in high-gloss black.	R16,500	R16,500
PEF	RS Styling package, Red The RS design package adds striking accents to the interior of the Audi RS 3 with details and contrasting stitching in express red. These are a fitting extension of the sporty character of the equipment elements, either with the standard Dinamica microfibre/artificial leather combination upholstery, or the upgraded Fine Nappa leather. The steering wheel rim in black Alcantara has contrasting stitching and a 12 o'clock marker in express red. The seat belts in black with red edge are another eye-catcher. Rounding off the RS design package are floor mats in black with contrasting stitching in express red and RS logo on front mats.	R12,800	R12,800
PEJ	RS Styling package plus, Red Additional accents in red offer an added upgrade to the interior of the Audi RS 3. These include seat shoulders in Dinamica microfibre in express red as well as air vents with striking centre bar in express red and controls in high-gloss black.	R16,500	R16,500



Optional extras | RS 3

Exterior equipment:		RS 3 Sportback	RS 3 Sedan
6FA	Body-coloured exterior mirror housings	No cost	No cost
6FJ	Exterior mirror housings in Black	R2,000	R2,000
6FQ	Carbon exterior mirror housings	R10,500	R10,500
3S1	Aluminium roof rails	R5,000	---
3S2	Black roof rails	R5,000	---
5J5	Carbon roof spoiler The roof edge spoiler in high-quality carbon sets an individual visual accent and thus underlines the powerful appearance. It also emphasizes the sporty design and gives the rear a striking finish for the RS 3 Sportback.	R23,300	---
5J2	Carbon tailgate spoiler The tailgate spoiler in high-quality carbon sets an individual, visual accent and thus underlines the powerful appearance of the new Audi RS 3 Sedan.	---	R15,500
3FB	Panoramic glass sunroof The panoramic glass sunroof is impressively easy to operate. Tilting and opening of the glass element is controlled electronically. Just as easy to operate are the sunblinds. The panoramic glass sunroof can be conveniently opened and closed from outside the vehicle using the remote control key. When open, the panoramic glass sunroof improves the climate in the vehicle interior by providing efficient ventilation. An integrated wind deflector reduces wind noise when the sunroof is open.	R17,000	R17,000
4E6	Luggage compartment lid with convenience opening	R6,000	S
4GF	Windshield with heat-insulating glass	No cost	No cost
NM5	Engine cover with carbon elements Design cover and inlays in gloss Carbon	R9,200	R9,200



Optional extras | RS 3

<u>Interior equipment:</u>		RS 3 Sportback	RS 3 Sedan
8I6	<p>Pneumatically adjustable lumbar support with massage feature for the front seats The lumbar support has three lumbar cushions which are selectively inflated and deflated to provide support of the lumbar region and is adjusted at a lumbar support button on the seat. The massage function includes three different programs developed for targeted relaxation of the lumbar region. These can be adjusted in three levels of intensity. The programs and their intensity are adjusted on the MMI touch display. The massage function can be switched on/off using the lumbar support button with integrated direct massage button. A massage session lasts about 10 minutes.</p>	R8,200	R8,200
3L5	<p>Electric front seats Electric adjustment of seat height, seat angle and backrest angle</p>	R11,500	R11,500
PV3	<p>Electric front seats with memory feature for driver seat and exterior mirrors A wide range of electrical settings are available for the driver and front passenger seat. The settings are saved for the driver seat and also automatically stored in personal profiles. Including exterior mirrors, electrically adjustable, heated and folding, automatically dimming on both sides, with memory function.</p>	R19,300	R19,300
4A3	<p>Seat heaters in front The seat heating heats the seat and backrest centre panels and the seat side bolsters of the front seats. The seat heating for driver and front passenger seat can be individually adjusted in three stages via the direct select button on the air-conditioning controls.</p>	R5,500	R5,500
N1H	<p>Fine Nappa leather with honeycomb stitching and embossed "RS" Seat upholstery in Fine Nappa leather with honeycomb pattern and RS embossing:</p> <ul style="list-style-type: none"> • seat centre panel, seat side bolsters and head restraints in Fine Nappa leather, black with stitching in black, express red or micrommata green • with honeycomb pattern • RS embossing on the front seat backrests 	R18,200	R18,200
5MB	<p>Decorative insert and accent surfaces in Matte Carbon Atlas RS-specific inlay and accent surfaces in matte Carbon Atlas for inserts and accent surfaces in the instrument panel; Centre console in black high-gloss</p>	R14,600	R14,600
KH5	<p>3-zone climate control system The 3-zone deluxe automatic air conditioning enables each occupant to regulate the climate control individually in the vehicle interior. The required temperature can be adjusted separately on the driver side, front passenger side and for the rear seats.</p>	R5,000	R5,000



Optional extras | RS 3

Infotainment:		RS 3 Sportback	RS 3 Sedan
7UG	<p>MMI Navigation plus with MMI touch Navigate, communicate, obtain information or enjoy the wide range of infotainment options using a thrilling operating concept. Thanks to the brilliant depiction on a high-resolution colour display, the Audi virtual cockpit or the optional large-screen head-up display. Operation via the touch display, voice control with natural language interaction and enhanced character recognition is an equally sensational experience.</p> <p>Additional functions:</p> <ul style="list-style-type: none"> • Navigation system on the high-resolution 10.1-inch MMI touch colour display (1,540 x 720) • Presentation of navigation map and route guidance on the high-resolution Audi virtual cockpit display • 3D map display showing many places of interest and city models • Efficiency assist helps the driver adopt an anticipatory driving style that promotes fuel efficiency. Efficiency assist⁶ gives tips in the Audi virtual cockpit and in the optional head-up display³. • MMI search: free-text search with intelligent destination suggestions during entry • MMI touch for rapid, intuitive operation – e.g. destination entry using handwriting recognition feature as well as the ability to move and zoom freely on the map • Easy operation of infotainment features using natural language interaction¹ • Detailed route information: map preview, choice of alternative routes, POIs, lane recommendations, motorway exits, detailed intersection maps, and much more. 	R39,300	R39,300
IT3	<p>Audi connect Navigation & Infotainment Plus Audi connect navigation & infotainment plus includes innovative services from Audi connect. These transform MMI navigation into a visual highlight whilst also making operation and orientation easier. The services are provided via a SIM card permanently installed in the vehicle. Data connection costs are included in the price of the services.</p> <p>The Audi connect navigation & infotainment plus package includes:</p> <ul style="list-style-type: none"> • Navigation with Google™ satellite map • Online search for destinations • Online speech entry • High-detail 3D city view • Online traffic information plus • Amazon Alexa integration 	R5,500	R5,500
9ZE	<p>Audi phone box Two smartphones can be connected simultaneously with the vehicle by Bluetooth, to either make phone calls or play music in the vehicle using one of the two smartphones. The universal smartphone tray in the front of the vehicle is designed for charging and storage. It is coupled with the vehicle's exterior aerial to improve signal and call quality. The Audi phone box offers an inductive charging function (Qi-standard) as well as the USB port for charging.</p>	R7,500	R7,500
7B9	<p>USB ports with charging function in rear 2 x USB-C ports for charging devices (smartphones, tablets); maximum output of 15 watts</p>	R1,200	R1,200



Optional extras | RS 3

Infotainment and assistance systems:		RS 3 Sportback	RS 3 Sedan
KA6	360-degree cameras For even easier manoeuvring, the surround view cameras display a range of different views of the vehicle's immediate surroundings directly on the MMI touch display of your vehicle. Useful guidelines on the screen provide orientation when manoeuvring. Even kerbs and stationary obstacles are taken into account.	R7,200	R7,200
7W1	Audi pre sense basic Within system limits, Audi pre sense basic initiates protection measures, such as tensioning the front seat belts, in critical driving situations such as emergency and evasive braking or handling at the absolute limits of performance.	R3,500	R3,500
8J1	Audi pre sense front Through permanent monitoring of the area in front of the vehicle and integrated analysis of the data captured, the system can recognise situations deemed critical, such as the probability of a front-end collision, and warn and assist the driver. Including pedestrian and cyclist detection.	R8,300	R8,300
6I3	Lane departure warning The system warns the driver if the lane marking is inadvertently crossed. Steering pulses help the driver stay in lane.	R5,800	R5,800
7Y1	Lane change assistant It's easy to miss vehicles in your blind spot. In these cases, the system warns of critical situations involving vehicles approaching from behind. It also alerts you to potential collisions when getting out and reverse parking.	R9,600	R9,600
8T8	Adaptive cruise control Within system limits, adaptive cruise control detects vehicles ahead with the aid of a radar sensor and keeps the set speed and distance to the vehicle in front largely constant within the control range. The speed range within which the system is available is between 0 km/h and 210 km/h. The control range is from 30 to 210 km/h. In stop-and-go traffic, vehicles can brake to a standstill and start up again automatically under certain conditions. The system is operated by means of a separate steering column stalk. The distance can be adjusted in five stages; the system's dynamics can be adjusted via Audi drive select or the ACC menu. Forces Audi pre sense front (8J1) at additional cost.	R6,900	R6,900
KS1	Head-up display The multi-coloured head-up display is rich in contrast and projects driver information into the driver's direct field of view. It is highly visible and reduces distraction from the traffic. An RS-specific display tailored to the driver's requirements is also possible.	R15,000	R15,000



Optional extras | RS 3

Suspension and braking systems:		RS 3 Sportback	RS 3 Sedan
PA3	RS dynamic package Plus The RS dynamic package plus includes: <ul style="list-style-type: none"> • Adaptive chassis control with Audi drive select including damper control (DCC) • Top speed increased to 290 km/h, electronically regulated • RS ceramic brake system with brake callipers in gloss anthracite grey. (Gloss blue or gloss red calipers available at additional cost.) 	R122,000	R122,000
PDE	Adaptive chassis control with Audi drive select Via Audi drive select, additional RS-specific driving modes – “RS Individual”, “RS Performance” and “RS Torque Rear” – can be set for the adaptive chassis control with Audi drive select including damper control (DCC). The settings range from RS-specific handling to outstanding driving dynamics to great driving comfort. The vehicle is lowered by 10 mm compared to the S3. A MacPherson strut axle with lower wishbones, adaptive shock absorbers, coil springs, subframe and stabiliser is used at the front. A 4-link axle with separate spring/damper arrangement, adaptive shock absorbers, coil springs, subframe and stabiliser is used at the rear.	R13,000	R13,000
PC2	Brake calipers painted in red	R5,500	R5,500
PC8	RS ceramic brakes with brake calipers in Glossy Blue 19-inch high-performance brake system with carbon-fibre-reinforced ceramic brake discs at the front, with brake callipers painted in gloss blue, with “Audi ceramic” logo at the front. Only available in conjunction with RS dynamic plus package (PA3).	R5,500	R5,500
PC9	RS ceramic brakes with brake calipers in Glossy Red 19-inch high-performance brake system with carbon-fibre-reinforced ceramic brake discs at the front, with front brake callipers painted in gloss red, with “Audi ceramic” logo. Only available in conjunction with RS dynamic plus package (PA3).	R5,500	R5,500
4X4	Side airbags in front and rear and curtain airbag system Side airbags, front integrated into the seat backrests and side airbags, rear integrated into the side bolsters; with head airbag system: deploys along the side windows and can thus protect front seat and outer rear seat passengers in the event of a side impact.	R6,000	R6,000
6Y4	Top speed increased to 280 km/h	R27,500	R27,500



Important information

Welcome to Audi

Audi Freeway Plan | Motoring Peace of Mind

There can be no better motoring peace of mind than knowing that your car will be serviced, maintained and repaired, should this prove necessary, at no cost to you. Thanks to Audi Freeway Plan, that peace of mind could be yours.

The Audi Freeway Plan absorbs all maintenance and service costs, with the exception of between-service top-up fluids, fuel, cracked or broken glass, and tyres.

Recommended retail pricing is inclusive of an optional 5 year/100,000 km Audi Freeway Plan on all new Audi vehicles.

Top-up options to extend maintenance are available at extremely competitive rates. Audi has specially designed the Audi Freeway Plan for easy operation on the part of the owner. Making an appointment with any one of our approved Audi Servicing Dealers can effect regular servicing and maintenance as well as repairs (with the exception of accident damage).

All work is handled by the relevant service department, which will liaise directly with the Audi Freeway Plan Maintenance Unit. No extra effort or payment is required from the Audi owner. The Audi Freeway Plan is registered with the vehicle and as such is transferable to the new owner should the car be sold before the Audi Freeway Plan has expired, giving added resale value. The Audi Freeway Plan is available in addition to Audi's standard one-year/unlimited distance vehicle warranty. The Audi Freeway Plan is subject to certain exclusions, covers any repairs necessary after the expiry of the standard warranty.

Audi Assist | Emergency and Personal Assistance

Audi Assist is a programme whereby Audi of South Africa and its Dealer Network pledge to provide you with peace of mind motoring by providing the infrastructure to support a countrywide emergency service 24 hours a day, every day.

The programme is known as Audi Assist and operates within the borders of South Africa as well as Namibia and Botswana. The objective of the programme is to ensure on the spot roadside assistance offered by a fully equipped and trained Audi technician.

The primary focus is to get you mobile in your own vehicle. Where a roadside repair cannot be effected and the vehicle needs to be towed to the nearest Audi dealer, you and the occupants of the vehicle will be transported to a place of safety in the dealer's roadside assistance vehicle.

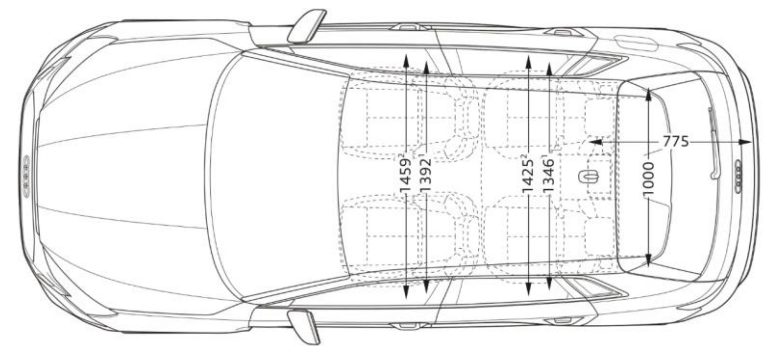
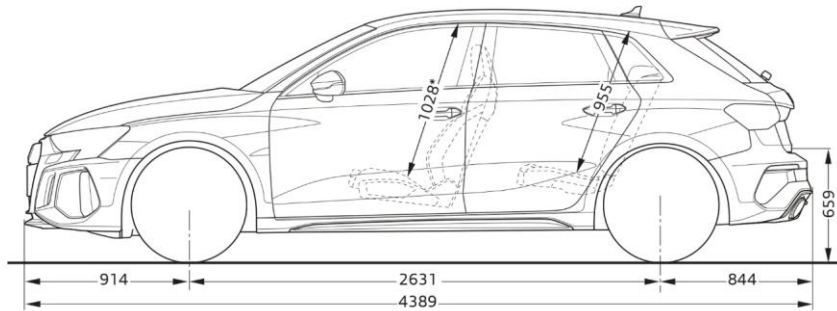
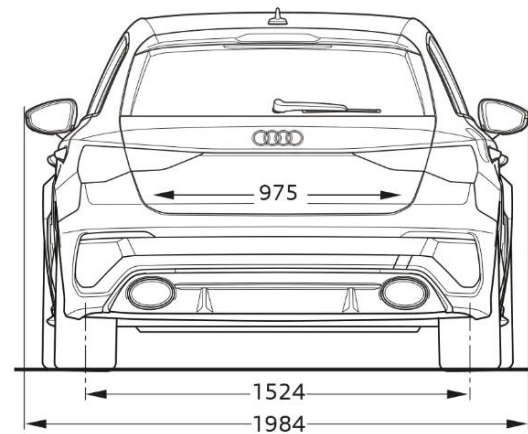
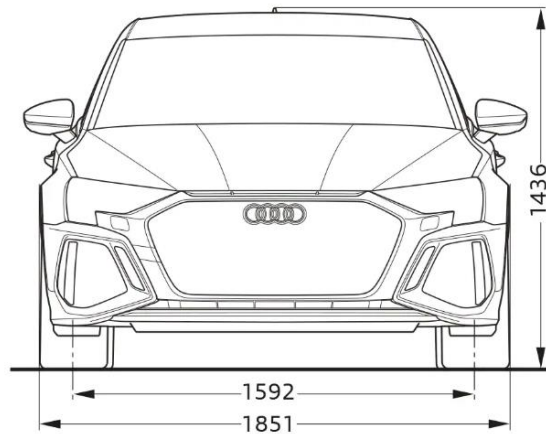
Contact details within South Africa:
086 043 4838

Contact details for neighbouring states:
+27 41 994 5616

24 hours a day, 7 days a week
Vehicle model and VIN number will be required.



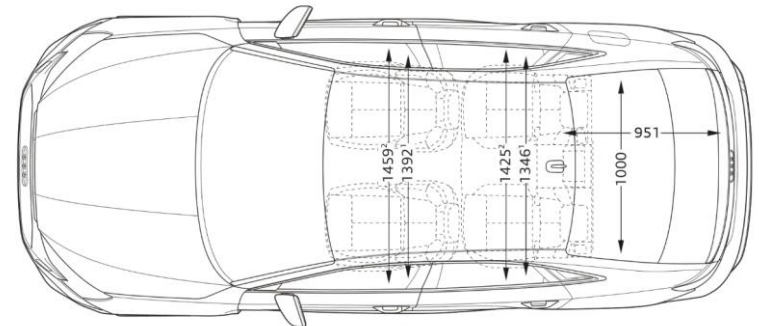
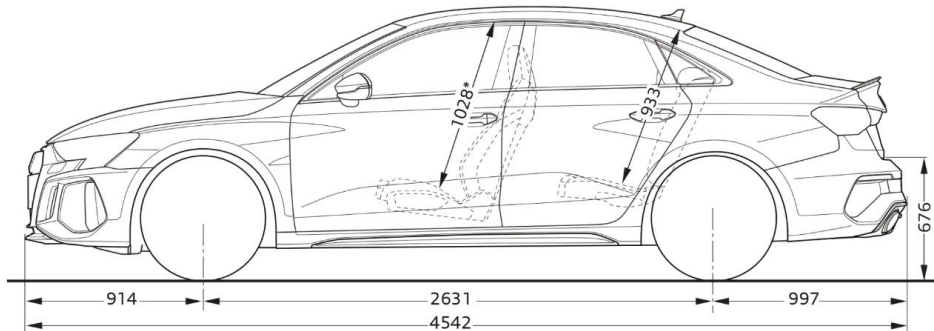
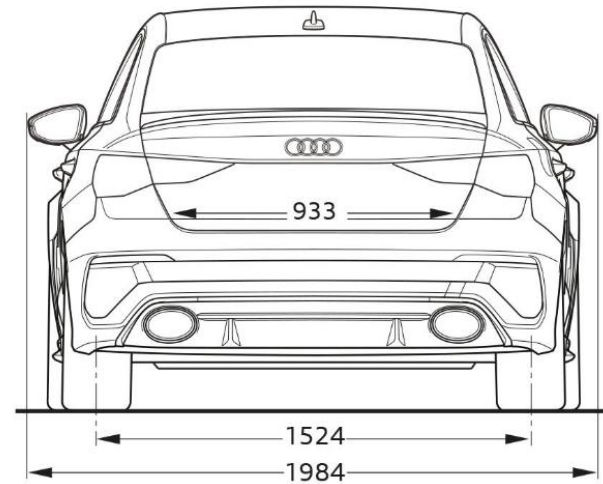
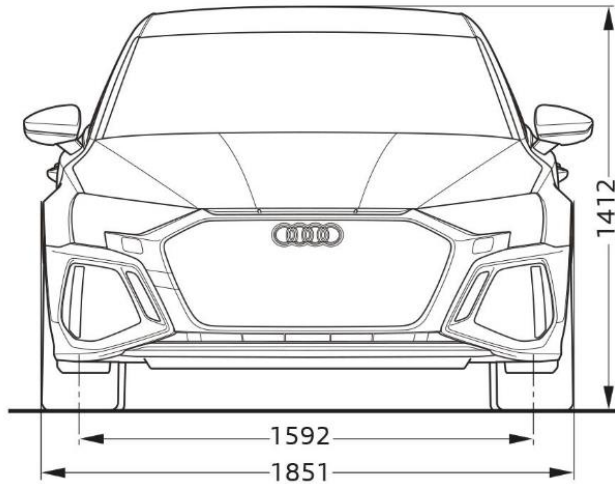
Audi RS 3 Sportback Dimensions All the measurements you need



Audi RS 3 Sportback luggage compartment capacity = 282l
With rear seats folded = 1104l



Audi RS 3 Sedan Dimensions All the measurements you need



Audi RS 3 Sedan luggage compartment capacity = 321l

RS 3



Information in this pricelist

We've done all we can to make the prices, specifications, technical details and all other information you see in this pricelist accurate at the time of publication. We reserve the right to change prices or specification at any time. All prices shown include VAT, which is currently charged at 15%. Recommended retail pricing is not binding on the dealer and is inclusive of an optional 5 year/100,000km Audi Freeway Plan.

Please check model availability and full specification details with your Audi Dealership prior to ordering. Neither Audi South Africa nor Audi Dealers can accept contractual responsibility for your reliance on the information contained in this pricelist. Performance figures and specifications relating to Audi vehicles are indicative only and performance cannot be guaranteed. Performance figures and specifications may be updated from time to time, when new test results or other information become available. Your local Audi Dealership can always provide you with the most up-to-date information available. Written and visual depictions (including photographs) of vehicles, are for illustrative purposes only and should not be relied upon. Some illustrations may not accurately reflect South African specifications (including paint and trim colours) and may not be available. If in doubt, always contact your local Audi Dealership.