



The Audi Q2

Four years ago, Audi put a trendsetter on the road with the Q2. Now the compact SUV is showcasing its progressive character even more clearly – with an even more striking profile with new headlights on the outside and technology on the inside. The Audi Q2 is a real eye-catcher with unique character.

This pricelist will make it easy for you to build a Q2 that is truly reflective of you, taking you through all the model, engine and option choices. The online configurator is also available to build your dream car.





Engines and Pricing | Q2

Engine	Fuel type	Transmission	Power output (kW)	Torque (Nm)	Fuel consumption (l/100 km)			CO ₂ emissions (g/km)	0 – 100 km/h (sec)	Top speed (km/h)	RRP*
					Urban	Extra urban	Combined				
35 TFSI	Petrol	tiptronic	110	250	7.5	5.3	6.1	140	8.8	213	R 612,400
35 TFSI Advanced	Petrol	tiptronic	110	250	7.5	5.3	6.1	140	8.8	213	R 628,600
35 TFSI S line	Petrol	tiptronic	110	250	7.5	5.3	6.1	140	8.8	213	R 637,400
Urban Edition	Petrol	tiptronic	110	250	7.5	5.3	6.1	140	8.8	213	R 728,930
Black Edition	Petrol	tiptronic	110	250	7.5	5.3	6.1	140	8.8	213	R 742,430

Fuel consumption and CO₂ data applies to the German Market. The specified values are determined in accordance with certain test procedures. The specifications do not refer to an individual vehicle but serve only as a basis for comparing the different types of vehicles. In addition, the consumption figures achieved during normal driving may differ from the test values, depending in particular on special equipment fitted, vehicle loading, personal driving style, road and traffic conditions, environmental factors and conditions of the car.

* RRP is inclusive of VAT, CO₂ emissions tax and an optional 5 year/100,000km Audi Freeway Plan

URBAN EDITION | Q2

Standard equipment (over and above Advanced trim)

Smartphone interface package

Panoramic glass sunroof

Parking aid Plus

Leather/leatherette seats

Matrix LEDs

Lane departure warning

Audi virtual cockpit

18" 5-arm dynamic style wheel

Comfort package

- 4-way lumbar support
- seat heaters
- electric tailgate
- storage package with 2 rear USB

**Optionally available**

Exterior mirrors, electric/folding (6XK)

Audi phone box (9ZE)

Rear view camera (KA2)

Comfort key (PG3)

Advanced bumpers in full paint (2JG)

Flat-bottom sport steering wheel (2PK)

Ambient lighting plus (QQ2)

Light graphic format inlay (7TM)

BLACK EDITION | Q2

Standard equipment (over and above S line trim)

Smartphone interface package

Panoramic glass sunroof

Parking aid Plus

Leather/leatherette seats)

Matrix LEDs

Lane departure warning

Audi virtual cockpit

Flat-bottom sports steering

Comfort package

- 4-way lumbar support
- seat heaters
- electric tailgate
- storage package with 2 rear USB

Black styling package

- black mirrors, black sideblade
- 19" 10-spoke Y-style wheel, black
- sport suspension
- black rings



Optionally available

Exterior mirrors, electric/folding (6XK)

Audi phone box (9ZE)

Rear view camera (KA2)

Comfort key (PG3)

S line bumpers in contrast paint (2JK)

19" 5-arm turbine style wheel (U14)

Ambient lighting plus (QQ2)

Light graphic format inlay (7TM)



Standard Equipment | Q2

Wheels:

- ▶ Anti-theft wheel bolts
- ▶ Alloy wheels, 5-spoke style, 6.5J x 16, 215/60 R16 tires
- ▶ Space-saving spare wheel
- ▶ Tyre pressure monitor

Performance & suspension:

- ▶ Cruise control system
- ▶ Electronic Stability Control (ESC)
- ▶ Progressive steering

Exterior equipment:

- ▶ Blade in body colour
- ▶ Body-coloured exterior mirror housings
- ▶ Exterior mirrors, power-adjustable & heated
- ▶ Rear parking aid
- ▶ Roof spoiler
- ▶ Standard bumpers

Lighting:

- ▶ LED headlights & rear lights
- ▶ Headlamp washer system
- ▶ Daytime running light
- ▶ Rear fog lamps

Audio & communication:

- ▶ Audi music interface
- ▶ Audi sound system
- ▶ Bluetooth interface
- ▶ Driver information system with colour display

Interior equipment:



- ▶ Auto-dimming interior rearview mirror, frameless
- ▶ Ambient lighting
- ▶ Anti-theft alarm system
- ▶ Remote control key with SAFELOCK
- ▶ Centre armrest in front
- ▶ Comfort automatic air conditioning system
- ▶ Deactivation switch for front passenger airbag

Interior equipment (cont.):

- ▶ Decorative inserts in Silver Gray Diamond Paint
- ▶ Headliner in Titanium Grey fabric
- ▶ ISOFIX child seat anchors and top tether for outer rear seats
- ▶ Leather-wrapped steering wheel, 3-spoke, with multi-function Plus
- ▶ Luggage compartment floor mat
- ▶ Power-operated child safety lock
- ▶ Standard front seat
- ▶ Folding rear seat backrest
- ▶ Front head restraints
- ▶ Side airbags in front and curtain airbag system
- ▶ Tool kit and jack
- ▶ Fabric seats in "Script" design
- ▶ First aid kit and warning triangle
- ▶ Floor mats in front and rear



Trimlines

Standard	Advanced	S line
<ul style="list-style-type: none"> • 16-inch alloy wheels, 5-spoke style • Blade in body colour 	<ul style="list-style-type: none"> • 17-inch alloy wheels, 5-spoke V-style • Advanced bumper in contrasting paint finish • Blade in Manhattan Grey • Sport seats • “Index” fabric seat upholstery 	<ul style="list-style-type: none"> • 18-inch alloy wheels, 5-spoke Y-style • S line bumpers in full paint finish • Blade in matte Platinum Grey • Sport seats • “Index” fabric seat upholstery • Sports suspension 



Packages | Q2

Comfort package (WFA)

- ▶ 4-way lumbar support for the front seats
- ▶ Electric tailgate
- ▶ Seat heaters in front
- ▶ Storage and Luggage Compartment package, 12-V outlet and USB charging ports for rear seat passengers

Technology package (WDP)

- ▶ MMI navigation plus
- ▶ Audi virtual cockpit
- ▶ Audi smartphone interface

Matrix LED headlights package (WBE)

- ▶ Matrix LED headlights
- ▶ Lane departure warning

Black styling package (WSX)*

- ▶ 19 inch Audi Sport alloy wheels, 10-spoke Y-style, Black, diamond-turned
- ▶ Black styling package
- ▶ Black mirror housings
- ▶ Blade in black
- ▶ Sports suspension

S line interior package (WQS)*

- ▶ Decorative inserts in Matte Brushed Aluminium
- ▶ S line badging
- ▶ Headliner in Black fabric
- ▶ Interior in aluminum look
- ▶ Pedals and foot rest in stainless steel
- ▶ Scuff plates with aluminium inserts in front, illuminated, with "S" logo



Paint | Q2

			Standard	Advanced	S line
	A2A2	Brilliant Black, solid	No cost	No cost	---
	Z9Z9	Arkona white, solid	No cost	No cost	No cost
	N8N8	Dew Silver, metallic	R 2,620	R 2,620	R 2,620
	B1B1	Progressive red, metallic	R 2,620	R 2,620	R 2,620
	L5L5	Floret Silver, metallic	R 2,620	R 2,620	---
	2Y2Y	Glacier White, metallic	R 2,620	R 2,620	R 2,620
	0E0E	Mythos Black, metallic	R 2,620	R 2,620	R 2,620
	H1H1	Manhattan Grey, metallic	R 2,620	R 2,620	---
	2D2D	Navarra Blue, metallic	R 2,620	R 2,620	R 2,620
	6Y6Y	Daytona Grey, pearlescent	---	---	R 11,200
	1X1X	Arrow Grey, pearlescent	R 11,200	R 11,200	R 11,200
	Q0Q0	Audi exclusive paint finish*	R 43,200	R 43,200	R 43,200



Wheels | Q2

			Standard	Advanced	S line
41S	Alloy wheels, 5-arm Y-style, 7.0J x 17, 215/55 R17 tyres		R 11,200	---	---
48E	Alloy wheels, 5-segment-spoke style (S style), 7.0J x 18, 215/50 R18 tyres		R 22,300	---	---
V68	Alloy wheels, 5-arm dynamic style, Graphite Grey, diamond-turned, 7.0J x 18, 215/50 R18 tyres		R 24,900	R 13,800	R 2,800
44M	Audi Sport Alloy wheels, 5-double-spoke trapez. style, Black, diamond-turn., 7.0J x 18, 215/50 R18 tyres		R 36,900	R 25,700	R 14,500
U80	Audi Sport Alloy wheels, 5-arm rotor style, Anthracite Black, diam.-turned, 8J x 19, 235/40 R19 tyres		R 44,000	R 33,000	R 21,800
C7M	Audi Sport Alloy wheels, 5-double-spoke edge style, Matte Titan. Grey, diam.-turn., 8J x 19, 235/40 R19 tyres		---	R 33,000	R 21,800
C8R	Audi Sport wheels, 5-arm turbine style, Matte Titanium Gray, diamond-turned, 8.0J x 19, 235/40 R19 tyres		---	R 3,000	R 3,000
U14	Audi Sport wheels, 5-arm turbine style, Matte Titanium Gray, diamond-turned, 8.0J x 19, 235/40 R19 tyres (only available with WSX)		R 11,200	---	---



Q2 Q2 Advanced Q2 S line



Optional equipment|Q2

Equipment packages:		Standard	Advanced	S line
WFA	Comfort package Includes 4-way lumbar support, seat heaters, electric tailgate, storage package with 2 rear USB	R 12,000	R 12,000	R 12,000
WDP	Tech package Includes MMI navigation plus, Audi smartphone interface, Audi virtual cockpit	R 29,750	R 29,750	R 29,750
PYG	Smartphone interface package Includes Audi smartphone interface, navigation preparation	R 15,800	R 15,800	R15,800
WSX	Black styling package Includes black styling package, black mirrors, black blade, 19" black wheel (C8R), sport suspension	---	R 19,000	R 12,000
WBE	Matrix LED headlights package Includes Matrix LED headlights and lane departure warning	R 15,500	R 15,500	R 15,500
WQS	S line interior package	---	R 10,700	R 10,700
Lighting technology:				
8G1	High-beam assist Only available in conjunction with lane departure warning (6I3) at additional cost	R 2,400	R 2,400	R 2,400
Suspension:				
2H6	Audi drive select	R 3,450	R 3,450	R 3,450
1JC	Sports suspension system	R 3,800	R 3,800	S



Optional equipment|Q2

<u>Exterior equipment:</u>		Standard	Advanced	S line
4ZP	Audi rings in black Forces removal of model and technology designation (2Z0) at no cost	---	R 2,600	R 2,600
3FB	Panoramic glass sunroof	R 17,000	R 17,000	R 17,000
6H0	Blade in body colour	S	No cost	No cost
6H5	Blade in Floret Silver metallic	R 3,450	---	---
6H4	Blade in Manhattan Grey metallic	---	S	No cost
6XK	Exterior mirrors, power-adjustable, heated and folding, auto-dimming on both sides	R 6,000	R 6,000	R 6,000
4E7	Electric tailgate	R 8,400	R 8,400	R 8,400
PG3	Comfort key in combination with anti-theft alarm system with towing protection	R 6,700	R 6,700	R 6,700
1D2	Trailer hitch	R 13,600	R 13,600	R 13,600
2JG	Advanced bumpers in full paint finish	---	R 2,800	---
2JK	S line bumpers in contrasting paint	---	---	R 2,800



Optional equipment | Q2

Interior equipment:		Standard	Advanced	S line
Q4H	Sports seats in front	R 6,200	S	S
N5G	Fabric "Index" Only in combination with Sports seats (Q4H)	No cost	S	S
N3U	Fabric "Pulse"/leather combination Only in combination with S line interior package (WQS)	---	R 14,600	R 14,600
N1S	Leather/leatherette combination	---	R 14,600	R 14,600
2PK	Sports contour leather-wrapped steering wheel with multifunction plus, 3-spoke, shift paddles, flat-bottomed	R 3,900	R 3,900	R 3,900
5TG	Decorative inserts in matte brushed aluminium	R 3,500	R 3,500	R 3,500
7TM	Decorative inserts with light graphics format Only in combination with ambient lighting package plus (QQ2)	R 3,500	R 3,500	R 3,500
6NQ	Headliner in Black fabric	R 4,100	R 4,100	R 4,100
7HB	Interior elements in leatherette	R 5,100	R 5,100	R 5,100
QQ2	Ambient lighting package plus Only in combination with decorative inserts with light graphics format (7TM)	R 1,600	R 1,600	R 1,600
QE3	Storage and luggage compartment package with USB ports in the rear	R 3,100	R 3,100	R 3,100



Optional equipment | Q2

Technology:		Standard	Advanced	S line
PYG	Connectivity infotainment package The smart preparation for retrofit activation of the navigation function offers you intuitive operation and, in addition to the smartphone interface, includes several storage and scanning options for playing your music collection in the vehicle. Activation document and SD card for navigation functions can be purchased through Audi Genuine Accessories at additional cost.	R 15,800	R 15,800	R 15,800
9S8	Audi virtual cockpit The innovative, fully digital 12.3-inch instrument cluster provides a flexible and clearly structured display of information about the vehicle and its functions, tailored to your own specific requirements. Already included in WDP, but also available in conjunction with Connectivity Infotainment package (PYG) at additional cost.	R 5,450	R 5,450	R 5,450
9VS	SONOS premium sound system With the SONOS Premium Sound System, fourteen harmoniously matched high-performance speakers including a center speaker and subwoofer for an outstanding sound experience. The 15-channel amplifier has a total output of 705 watts. Microphone detected driving and background noises permanently adjusted. The exclusive speaker covers with LED accent lighting for the front woofers ensure a perfect design experience.	R 9,800	R 9,800	R 9,800
9ZE + GB1	Audi phone box Includes the following features: universal bluetooth interface; comfortable, integrated speakerphone; coupling antenna for connecting the cell phone to the external antenna for improved reception quality and lower cell phone radiation in the vehicle interior; LTE support; wireless charging (Qi standard); charge status display in the MMI display; connection of a second mobile phone.	R 6,100	R 6,100	R 6,100
7X2	Parking aid plus Acoustic and visual park assist system for the front and rear with the MMI screen display showing a graphic representation of the distance to any obstacles detected outside and within the driving path. Measure measurement is by ultrasonic sensors concealed in the bumpers.	R 6,180	R 6,180	R 6,180
KA2	Rear view camera system An image of the area behind the vehicle is shown in the MMI display with dynamic display modes highlighting the calculated path or steering angle.	R 6,200	R 6,200	R 6,200



Optional equipment | Q2

Technology:		Standard	Advanced	S line
8T8	Adaptive cruise control Only available in combination with Audi pre sense front for adaptive cruise control (6K4)	R 6,400	R 6,400	R 6,400
6K4	Audi pre sense front for adaptive cruise control Only available in combination with adaptive cruise control (8T8)	No cost	No cost	No cost



Important information

Welcome to Audi

Audi Freeway Plan | Motoring Peace of Mind

There can be no better motoring peace of mind than knowing that your car will be serviced, maintained and repaired, should this prove necessary, at no cost to you.

Thanks to Audi Freeway Plan, that peace of mind could be yours.

The Audi Freeway Plan absorbs all maintenance and service costs, with the exception of between-service top-up fluids, fuel, cracked or broken glass, and tyres.

Recommended retail pricing is inclusive of an optional 5 year/100,000 km Audi Freeway Plan on all new Audi vehicles.

Top-up options to extend maintenance are available at extremely competitive rates. Audi has specially designed the Audi Freeway Plan for easy operation on the part of the owner. Making an appointment with any one of our approved Audi Servicing Dealers can effect regular servicing and maintenance as well as repairs (with the exception of accident damage).

All work is handled by the relevant service department, which will liaise directly with the Audi Freeway Plan Maintenance Unit. No extra effort or payment is required from the Audi owner. The Audi Freeway Plan is registered with the vehicle and as such is transferable to the new owner should the car be sold before the Audi Freeway Plan has expired, giving added resale value. The Audi Freeway Plan is available in addition to Audi's standard one-year/unlimited distance vehicle warranty. The Audi Freeway Plan is subject to certain exclusions, covers any repairs necessary after the expiry of the standard warranty.

Audi Assist | Emergency and Personal Assistance

Audi Assist is a programme whereby Audi of South Africa and its Dealer Network pledge to provide you with peace of mind motoring by providing the infrastructure to support a countrywide emergency service 24 hours a day, every day.

The programme is known as Audi Assist and operates within the borders of South Africa as well as Namibia and Botswana. The objective of the programme is to ensure on the spot roadside assistance offered by a fully equipped and trained Audi technician.

The primary focus is to get you mobile in your own vehicle. Where a roadside repair cannot be effected and the vehicle needs to be towed to the nearest Audi dealer, you and the occupants of the vehicle will be transported to a place of safety in the dealer's roadside assistance vehicle.

Contact details within South Africa:

086 043 4838

Contact details for neighbouring states:

+27 41 994 5616

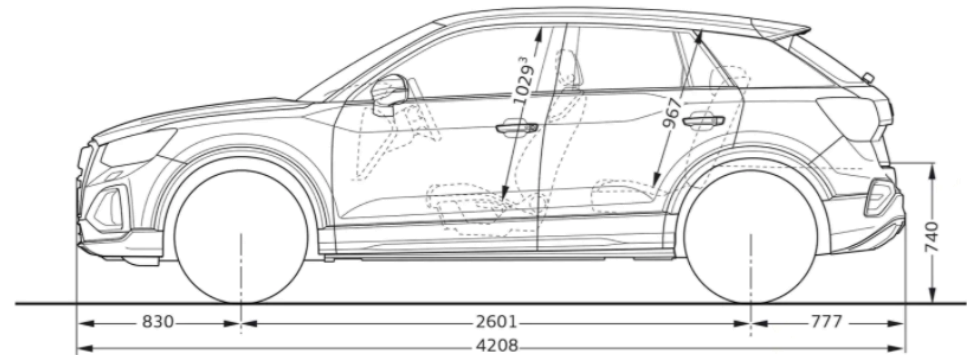
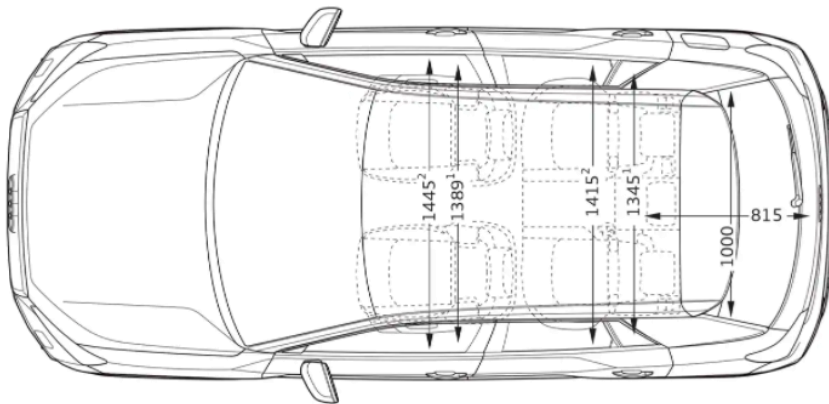
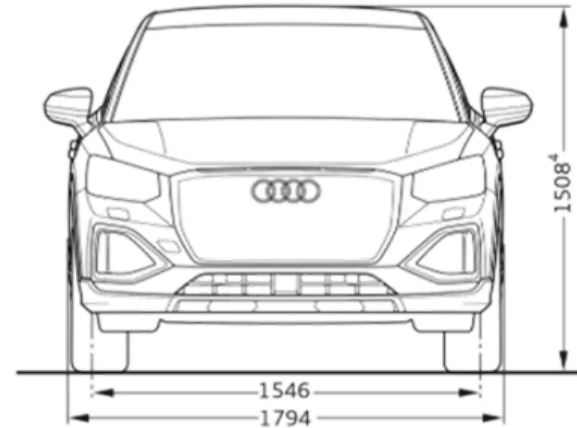
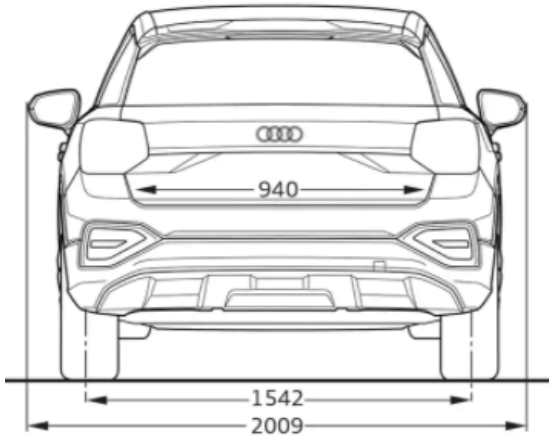
24 hours a day, 7 days a week

Vehicle model and VIN number will be required.



Audi Q2 Dimensions

All the measurements you need



Luggage compartment capacity:
405l - behind 2nd seat bench
1050l - with rear seats folded down



Information in this pricelist

We've done all we can to make the prices, specifications, technical details and all other information you see in this pricelist accurate at the time of publication. We reserve the right to change prices or specification at any time. All prices shown include VAT, which is currently charged at 15%. Recommended retail pricing is not binding on the dealer and is inclusive of an optional 5 year/100,000km Audi Freeway Plan.

Please check model availability and full specification details with your Audi Dealership prior to ordering. Neither Audi South Africa nor Audi Dealers can accept contractual responsibility for your reliance on the information contained in this pricelist. Performance figures and specifications relating to Audi vehicles are indicative only and performance cannot be guaranteed. Performance figures and specifications may be updated from time to time, when new test results or other information become available. Your local Audi Dealership can always provide you with the most up-to-date information available. Written and visual depictions (including photographs) of vehicles, are for illustrative purposes only and should not be relied upon. Some illustrations may not accurately reflect South African specifications (including paint and trim colours) and may not be available. If in doubt, always contact your local Audi Dealership.