

Q3

March 2023

The Audi Q3.

The new Audi Q3 is a family SUV with great all-round talents. In the second generation it appears not only visually more self-confident, but offers far greater utility value thanks to abundant space, comprehensive adaptability and many practical details.

This pricelist will make it easy for you to build your Q3, taking you through all the model, engine and option choices. The online configurator is also available to build your dream car.



Note: vehicle depicted may contain equipment not currently available for the South African market.



Engines

Engine	Capacity	Fuel type	Transmission	Power output (kW)	Torque (Nm)	Fuel consumption (l/100 km)			CO ₂ emissions (g/km)	0 – 100 km/h (sec)	Top speed (km/h)	RRP*
						Urban	Extra urban	Combined				
35 TFSI	1 395	Petrol	S tronic	110	250	7.0	5.1	5.8	162	9.3	207	R 699,000
35 TFSI Advanced	1 395	Petrol	S tronic	110	250	7.1	5.2	5.9	162	9.3	207	R 719,000
35 TFSI S line	1 395	Petrol	S tronic	110	250	7.1	5.2	5.9	162	9.3	207	R 733,000
40 TFSI quattro Advanced	1 984	Petrol	S tronic	132	320	10.1	7.2	8.2	187	7.8	220	R 769,000
40 TFSI quattro S line	1 984	Petrol	S tronic	132	320	10.1	7.2	8.2	187	7.8	220	R 783,000

Fuel consumption and CO₂ data applies to the German Market. The specified values are determined in accordance with certain test procedures. The specifications do not refer to an individual vehicle but serve only as a basis for comparing the different types of vehicles. In addition, the consumption figures achieved during normal driving may differ from the test values, depending in particular on special equipment fitted, vehicle loading, personal driving style, road and traffic conditions, environmental factors and conditions of the car.

* RRP is inclusive of VAT, CO₂ emissions tax and an optional 5 year/100,000km Audi Freeway Plan



Standard Equipment | Q3

Wheels:

- ▶ 17" Cast alloy wheels, 5-double-spoke style
- ▶ Anti-theft wheel bolts
- ▶ Space-saving spare wheel
- ▶ Tyre pressure monitoring system

Performance & suspension:

- ▶ Cruise control system
- ▶ Speed limiter
- ▶ Electronic Stability Control (ESC)
- ▶ Hill hold assist
- ▶ Hill descent control
- ▶ Standard suspension
- ▶ Audi drive select

Lighting:

- ▶ Headlamp washer system
- ▶ Headlight range control
- ▶ LED headlamps
- ▶ LED rear combination lamps with dynamic indicators
- ▶ Light/rain sensor
- ▶ Separate daytime running lights
- ▶ Interior ambient lighting package

Exterior equipment:

- ▶ Roof rails in black
- ▶ Body coloured exterior mirror housings
- ▶ Exterior mirrors power adjustable & heated
- ▶ High gloss styling package
- ▶ Rear fog lamps
- ▶ Parking aid rear
- ▶ Standard bumpers with grained add-on parts

Audio & communication:

- ▶ Audi smartphone interface
- ▶ Audi sound system
- ▶ Audi digital cockpit
- ▶ Voice recognition
- ▶ MMI radio plus
- ▶ Bluetooth interface

Interior equipment:

- ▶ Auto-dimming interior rearview mirror, frameless
- ▶ Centre armrest in front
- ▶ 2 zone automatic air conditioning system
- ▶ Decorative inserts in Micrometallic silver
- ▶ Leather/Leatherette seat upholstery
- ▶ First aid kit and warning triangle
- ▶ Floor mats in front and rear
- ▶ Headliner in Moon silver fabric
- ▶ ISOFIX child seat anchors and top tether for outer rear seats
- ▶ ISOFIX child seat anchors for front passenger seat
- ▶ Front seats manually adjustable
- ▶ Leather-wrapped steering wheel, 3-spoke, with multi-function Plus
- ▶ Manual luggage compartment lid
- ▶ Non-smoker's package
- ▶ Plastic load edge protection
- ▶ Rear seat bench plus with centre armrest and beverage holder
- ▶ Side airbags in front and curtain airbag system
- ▶ Tool kit and jack
- ▶ Standard seats
- ▶ Scuff plates with aluminium inserts, illuminated
- ▶ Dashboard accent surface in black gloss look
- ▶ Anti theft alarm system

Trim lines | Q3

Standard



- ▶ 17 inch cast aluminium wheels 5 twin spoke design
- ▶ Standard exterior bumpers, wheel arch trims and side sills in matt black grained
- ▶ Radiator grille grained
- ▶ Anthracite grained diffuser
- ▶ Entrance rails in front unlit, without lettering
- ▶ Plastic load edge protection

Trim lines | Q3

Advanced Line (standard equipment over and above standard trim)



- ▶ 18 inch cast aluminium wheels in 5 arm design
- ▶ Advanced bumpers, wheel arch covers and side sills in contrasting finish (Manhattan grey metallic)
- ▶ Radiator grille in titanium black
- ▶ Radiator grille slats in aluminium silver matt
- ▶ Frame of side air intakes front in Selenite silver matt
- ▶ Front spoiler in selenite silver matt
- ▶ Diffuser in Selenite silver matt
- ▶ Clasp in the diffuser in titanium black
- ▶ Load edge protection in stainless steel

Trim lines | Q3

S line (standard equipment over and above standard trim)

- ▶ 18 inch cast aluminium wheels in 5 V spoke design
- ▶ S line bumpers, wheel arch covers and side skirts in full paint finish
- ▶ Radiator grille in titanium black
- ▶ Radiator grille slats in aluminium silver matt
- ▶ Frame of the side air intakes in front in Platinum grey matt
- ▶ Blade of the front spoiler in platinum grey
- ▶ Front spoiler in full paint finish
- ▶ Diffuser in titanium black matt
- ▶ Grille diffuser in matte black
- ▶ Insert in the sill in Platinum grey matt
- ▶ Door sills with aluminium inserts in front, illuminated, with S lettering
- ▶ Load sill protection in stainless steel
- ▶ Sport suspension
- ▶ S line emblem on outer fenders



Packages | Q3

Sport package

- ▶ 19 inch 20 spoke v-style wheels
- ▶ Sport leather steering wheel, multifunction and flat bottom
- ▶ Black headlining
- ▶ Sport seats
- ▶ Audi drive select
- ▶ Alcantara/leatherette combination upholstery

Not in conjunction with S line Interior package

Black styling package

- ▶ Black mirror housings
- ▶ Black accents in the Audi Singleframe grille
- ▶ Window panes in black
- ▶ Front and rear bumpers in black

Not applicable to the standard trim

Parking package

- ▶ Exterior mirrors power adjusted, heated, folding and dimming
- ▶ 360 degree camera
- ▶ Parking assist including parking aid plus

Technology package

- ▶ MMI Navigation Plus
- ▶ Audi Virtual Cockpit Plus
- ▶ Contour Ambient Lighting
- ▶ Interior in aluminium look

S line Interior package

- ▶ Decorative inserts in Matte brushed dark aluminium
- ▶ Headlining in black
- ▶ Pedals and footrest in stainless steel
- ▶ Scuff plates with aluminium inserts illuminated with S logo
- ▶ Sport seats in front
- ▶ Stainless steel load edge protection
- ▶ Alcantara /Frequenz OR Leatherette upholstery
- ▶ Sport leather steering wheel, multifunction with shift paddles and flat bottomed

Not in conjunction with Sport package



Paint | Q3

Paint Q3			35 TFSI	35 TFSI Advanced	35 TFSI S line	40 TFSI quattro Advanced	40 TFSI quattro S line
T9T9		Ibis White, solid	R 0	R 0	R 0	R 0	R 0
N6N6		Turbo blue, solid	---	---	R 2,620	---	R 2,620
M9M9		Pulse orange, solid	R 2,620	R 2,620	R 2,620	R 2,620	R 2,620
Z7Z7		Chronos grey, metallic	R 2,620	R 2,620	R 2,620	R 2,620	R 2,620
L5L5		Florett Silver, metallic	R 2,620	R 2,620	---	R 2,620	---
2Y2Y		Glacier White, metallic	R 2,620	R 2,620	R 2,620	R 2,620	R 2,620
0E0E		Myth Black, metallic	R 2,620	R 2,620	R 2,620	R 2,620	R 2,620
2D2D		Navarra Blue, metallic	R 2,620	R 2,620	R 2,620	R 2,620	R 2,620
6Y6Y		Daytona Grey, pearlescent	---	---	R 12,810	---	R 12,810
Y1Y1		Tango red, metallic	R 2,620	R 2,620	R 2,620	R 2,620	R 2,620
G3G3		Nano grey, metallic	R 2,620	R 2,620	---	R 2,620	---
Q0Q0		Audi exclusive paint finish*	R 43,200	R 43,200	R 43,200	R 43,200	R 43,200
0000		Audi exclusive matte paint finish*	R 80,000	R 80,000	R 80,000	R 80,000	R 80,000

Options are subject to availability and may extend time taken for delivery. All the colour swatches on this page are matched as accurately as possible to the actual paint colours used. Audi South Africa cannot guarantee that colours shown are 100% accurate. Visit your local Audi Centre for a more accurate colour swatch. *Audi exclusive paint is subject to factory approval. Visit your local Audi Centre for colour samples.



Wheels & tyres | Q3

		35 TFSI	35 TFSI Advanced	35 TFSI S line	40 TFSI quattro Advanced	40 TFSI quattro S line
C2G	Cast alloy wheels, 5 double spoke style, 7J x 17 with 215/65 R17 tyres	S	---	---	---	---
C3I	Cast alloy wheels, 5 arm style, 7J x 18 with 235/55 R18 tyres	---	S	---	S	---
C3Q	Cast alloy wheel, 5 spoke v style, 7J x 18 with 235/55 R 18 tyres	---	---	S	---	S
C2I	Cast alloy wheels, 5 double arm style. 7J x 18, with 235/55 R18 tyres	R 12,900	R 3,900	R 3,900	R 3,900	R 3,900
43K	Cast alloy wheel, 5 -arm dynamic style, 7J x19 with 235/50 R19 tyres	R 22,900	R 14,900	No cost	R 14,900	No cost
U25	Cast alloy wheels, 5 double spoke dynamic style, 7J x 19 with 235/50 R19 tyres	---	---	R 14,900	---	R 14,900
V72	Cast alloy wheels, 20-spoke v-style contrast grey, part polished, 7J x 19 with 235/50 R19 tyres (Only available with Sport Package)	Sport Package	Sport Package	Sport Package	Sport Package	Sport Package
52Z	Audi Sport alloy wheels, 5-V-spoke star style, Matte Titan. Gray, diam.-turn.,8.5Jx20, 255/40 R20 tyres	---	---	---	R 44,800	R 44,800

17"

18"

19"

20"



C2G
Std on Standard trim

C3I
Std on Advanced

C3Q
Std on S line

C2I

43K

U25

V72
Sport Package only

52Z



Packages | Q3

Packages	35 TFSI	35 TFSI Advanced	35 TFSI S line	40 TFSI quattro Advanced	40 TFSI quattro S line
WQS S line Interior Package <ul style="list-style-type: none"> • Decorative inserts in Matt brushed dark aluminium • Headlining in black • Pedals and footrest in stainless steel • Scuff plates with aluminium inserts and illuminated with S logo • Sport seats in front • Stainless steel load edge protection • Alcantara / Frequenz OR Leatherette upholstery Note: Not in conjunction with Sport package	R 16,700	R 16,700	R 16,700	R 16,700	R 16,700
WSX Sport Package <ul style="list-style-type: none"> • 19" 20 spoke v-style wheels • Sport leather steering, multifunction and flat bottom • Black headlining • Sport seats • Audi drive select • Alcantara/leatherette combination upholstery Note: Package cannot be ordered in conjunction with S line interior package	R 36,646	R 30,030	R 30,030	R 30,030	R 30,030
WDP Technology Package <ul style="list-style-type: none"> • MMI Navigation plus • Audi virtual cockpit plus (12.3" full HD full range instrument with additional graphic options) • Contour ambient lighting (Choice of 30 colours. Contour lighting, entrance lighting on the underside of rear doors, side ambient lighting of the centre console, storage compartment lighting) • Interior in aluminium look 	R 35,180	R 35,180	R 35,180	R 35,180	R 35,180



Packages cont.... | Q3

Packages		35 TFSI	35 TFSI Advanced	35 TFSI S line	40 TFSI quattro Advanced	40 TFSI quattro S line
4ZD+6FJ	Black Styling Package <ul style="list-style-type: none"> • Black mirror housings • Black accents in the Audi Singleframe grille • Window panes in black • Front and rear bumpers in black Note: Not applicable to the standard trim	---	R 7,400	R 7,400	R 7,400	R 7,400
4ZP	Black Appearance package Plus <ul style="list-style-type: none"> • Black styling package with Audi rings front / rear as well as model name and performance / technology lettering in black Note: Can only be ordered in conjunction with Audi Q3 advanced / S line	---	R10,800	R10,800	R10,800	R10,800
KA6+6XK+7X5	Parking Package <ul style="list-style-type: none"> • Exterior mirrors power adjustable, heated, folding and dimming • 360 degree camera • Park assist including parking aid plus 	R 28,350	R 28,350	R 28,350	R 28,350	R 28,350



Optional equipment | Q3

<u>Lighting:</u>		35 TFSI	35 TFSI Advanced	35 TFSI S line	40 TFSI quattro Advanced	40 TFSI quattro S line
PXC	Matrix LED headlights Provides precise illumination of the road whilst reducing the risk of dazzling other road users. Using information obtained from the vehicle's sensors, camera and MMI Navigation (if equipped), it identifies the appropriate lighting required. Using these sources, Matrix LED dips or fully extinguishes individual lighting diodes when vehicles are detected ahead. Matrix LED calculates the appropriate lighting required and automatically dips or turns off individual lighting diodes, creating corridors of light either side of the vehicle or the object in front of it. Includes dynamic front and rear indicators which sweep from inside to out.	R 7,560	R 7,560	R 7,560	R 7,560	R 7,560
8G1	High-beam assist Within system limits, high-beam assist detects the headlights of oncoming traffic, the rear lights of other road users and light sources in built-up areas. Depending on the traffic situation, the high beam automatically adjusts to dipped beam and vice versa. The system improves the driver's visibility and brings added comfort and convenience. Only available in conjunction with 6I2/6I3/6I6.	R 2,420	R 2,420	R 2,420	R 2,420	R 2,420
<u>Mirrors</u>						
6XE	Exterior mirrors power adjustable, heated and power folding	R 5,780	R 5,780	R 5,780	R 5,780	R 5,780
<u>Locking systems</u>						
PG3	Comfort key Access and authorization system that works through automatic data exchange between key and vehicle, allowing the driver to keep their car key in their pocket or bag at all times. To unlock and open, simply lift the exterior door handle. Pressing the start/stop button integrated in the centre console starts and stops the engine.	R 7,880	R 7,880	R 7,880	R 7,880	R 7,880
4E7	Luggage compartment lid, electrically opening and closing The luggage compartment lid opens automatically when the luggage compartment is unlocked with the remote control key, the button in the driver's door or by pushing the soft-touch release on the lid.	R 6,830	R 6,830	R 6,830	R 6,830	R 6,830



Optional equipment | Q3

<u>Other:</u>		35 TFSI	35 TFSI Advanced	35 TFSI S line	40 TFSI quattro Advanced	40 TFSI quattro S line
1M6	Trailer hitch	R 11,030	R 11,030	R 11,030	R 11,030	R 11,030
2Z7	Without engine power and technology nameplate	No cost	No cost	No cost	No cost	No cost
3S1	Aluminium roof rails	R 1,470	R 1,470	R 1,470	R 1,470	R 1,470
3FU	Panoramic Sunroof The panoramic glass sunroof comprises a single tinted glass section which tilts and opens electrically. Includes a manually adjustable sunshield and convenience closing via the central locking remote control. The integrated wind deflector reduces wind noise when the roof is open.	R 20,480	R 20,480	R 20,480	R 20,480	R 20,480
Bumpers:						
2JG	Advanced line bumpers in full paint finish (body colour)	---	R 4,310	---	R 4,310	---
2JK	S line bumpers in contrasting paint finish	---	---	R 4,310	---	R 4,310
Seats:						
7P1	4-way lumbar support for the front seats	R 5,300	R 5,300	R 5,300	R 5,300	R 5,300
3L5	Power front seats	R 11,500	R 11,500	R 11,500	R 11,500	R 11,500
4A3	Seat heaters in front	R 5,600	R 5,600	R 5,600	R 5,600	R 5,600



Optional equipment | Q3

Seats Upholstery:

		35 TFSI	35 TFSI Advanced	35 TFSI S line	40 TFSI quattro Advanced	40 TFSI quattro S line
N1M	Leather/leatherette combination trim Durable combination seat covers in leatherette and leather.	S	S	S	S	S
N7K	Frequency Alcantara/leatherette Only in combination with S line interior (WQS)	S line interior + R 2,500	S line interior + R 2,500	S line interior + R 2,500	S line interior + R 2,500	S line interior + R 2,500
N1P	Leather/leatherette combination trim with S line interior Durable combination seat covers in leatherette and leather. Only in combination with S line interior (WQS) as an alternative upholstery choice with the S line interior package.	S line interior	S line interior	S line interior	S line interior	S line interior
N7U	Alcantara/leatherette combination	Sport Package	Sport Package	Sport Package	Sport Package	Sport Package

Interior trim:

7HC	 Door armrest in leatherette	No cost	No cost	No cost	No cost	No cost
7HB	 Interior elements in Alcantara, Orange	R 6,770	R 6,770	R 6,770	R 6,770	R 6,770
7HE	 Interior elements in Alcantara, Steel Grey	R 6,770	R 6,770	R 6,770	R 6,770	R 6,770



Optional equipment | Q3

<u>Other interior equipment:</u>		35 TFSI	35 TFSI Advanced	35 TFSI S line	40 TFSI quattro Advanced	40 TFSI quattro S line
2PK	Multifunction leather steering wheel in 3-spoke design including shift paddles and flat-bottomed Forces S line interior package WQS at additional cost	R 3,470	R 3,470	R 3,470	R 3,470	R 3,470
QE1	Storage and luggage compartment package <ul style="list-style-type: none"> Storage nets on the back of the front seat backrests Storage compartment under passenger seat Additional items in the luggage compartment includes: luggage securing net, 12V socket and LED luggage compartment light. 	R 3,680	R 3,680	R 3,680	R 3,680	R 3,680
<u>Audio/Infotainment/Technology:</u>						
9VS	SONOS premium sound system with 3D sound The 15 harmoniously coordinated high-performance speakers including center speaker and subwoofer along with the 16-channel amplifier(680 watts) enable an outstanding sound experience. The new, virtual 3D sound effect creates an intense sound experience. This is generated by four loudspeakers in the dashboard, two loudspeakers in the C-pillar and by Fraunhofer Symphoria technology.	R 9,170	R 9,170	R 9,170	R 9,170	R 9,170
9S1	Audi Virtual Cockpit Fully digital instrument cluster in 10.25 inches with a variety of additional functions and content compared to the Digital cockpit. <ul style="list-style-type: none"> Flexible and needs based display of the respective information according to the driver's needs: speed, map display, radio/media information. Additional l display option Integration of MMI functions in the instrument cluster 	R 4,020	R 4,020	R 4,020	R 4,020	R 4,020



Optional equipment | Q3

<u>Assistance systems:</u>		35 TFSI	35 TFSI Advanced	35 TFSI S line	40 TFSI quattro Advanced	40 TFSI quattro S line
PCG	<p>Adaptive cruise control Maintains speed and distance to the vehicle in front; Audi pre sense warns when critical driving situations are detected and reduces the risk of collision. With the help of a radar sensor, it detects vehicles driving ahead within the system limits and keeps the speed and distance within the control range largely constant. The control range is 0 to 200 km / h. In stop & go traffic, vehicles can brake to a standstill and, under certain conditions, start again automatically. Operation is via a separate steering column stalk. The distance can be set in five stages, the dynamics of the system can be regulated via Audi drive select or the ACC menu.</p>	R 13,300	R 13,300	R 13,300	R 13,300	R 13,300
7W1	<p>Audi pre sense basic Where necessary, actions are taken to help protect the driver and passengers if a potential collision is detected. These include seat belt tightening (front seats) and closing the windows and sunroof (if fitted).</p>	R 3,400	R 3,400	R 3,400	R 3,400	R 3,400
7Y1	<p>Lane change assistant The lane change assistant can help avoid collisions in critical traffic situations and supports the driver within system limits when changing lanes (functional range from approx. 15 to a maximum of 250 km / h). The lane change assistant uses two radar sensors to measure the distance and the speed difference between the detected vehicles approaching from behind and your own vehicle. If the speed difference and the distance from the lane change assistant are classified as critical for a lane change, a display is made in the respective exterior mirror.</p>	R 8,700	R 8,700	R 8,700	R 8,700	R 8,700
6I2	<p>Lane keeping system plus traffic jam assist The adaptive driving assistant combines the functionality of the adaptive speed assistant with the lane guidance assistant. The adaptive driver assistant supports the driver in accelerating, braking and maintaining speed and distance as well as in lane guidance. This can increase driving comfort, especially on long journeys. The system maintains the speed and distance to the vehicle in front using the adaptive speed assistant and provides gentle, corrective steering interventions to comfortably maintain the lane in the entire speed range from 0-210 km / h. At the same time, the set speed is kept constant and the system reacts to vehicles in front with a distance control.</p>	R6,200	R6,200	R6,200	R6,200	R6,200



Optional equipment | Q3

<u>Assistance systems: (continued)</u>		35 TFSI	35 TFSI Advanced	35 TFSI S line	40 TFSI quattro Advanced	40 TFSI quattro S line
6I6	Lane keeping system plus with traffic jam assist and emergency assist Functionality of 6I2 with the addition of emergency assist. The emergency assistant is an extension of the adaptive driver assistant or the lane departure warning and recognizes within the system limits when the driver is inactive. In such cases, it warns the driver optically, acoustically and haptically. If there is no reaction from the driver, the system takes control of the vehicle and automatically brings it to a standstill in its own lane, and the hazard warning lights are activated. Only in conjunction with Adaptive cruise control (PCG) at additional cost.	R6,500	R6,500	R6,500	R6,500	R6,500
6I3	Lane departure warning Assists to avoid unintentionally leaving the lane, within system limits. If the system is activated and ready and the driver has not set the indicator, the lane departure warning helps to avoid driving over recognized lane delimitation lines through corrective steering interventions. An additional steering wheel vibration can be set at the driver's request. Functional range from approx. 60 to a maximum of 250 km/h.	R5,500	R5,500	R5,500	R5,500	R5,500
7X2	Parking system plus Acoustic and visual park assist system for the front and rear with the MMI screen display showing a graphic representation of the distance to any obstacles detected outside and within the driving path. Measure measurement is by ultrasonic sensors concealed in the bumpers.	R 6,180	R 6,180	R 6,180	R 6,180	R 6,180
KA2	Rearview camera An image of the area behind the vehicle is shown in the MMI display with dynamic display modes highlighting the calculated path or steering angle.	R 7,000	R 7,000	R 7,000	R 7,000	R 7,000
<u>Suspension systems:</u>						
1JC	Sport suspension	R 4,100	R 4,100	S	R 4,100	S



Important information

Welcome to Audi

Audi Freeway Plan | Motoring Peace of Mind

There can be no better motoring peace of mind than knowing that your car will be serviced, maintained and repaired, should this prove necessary, at no cost to you.

Thanks to Audi Freeway Plan, that peace of mind could be yours.

The Audi Freeway Plan absorbs all maintenance and service costs, with the exception of between-service top-up fluids, fuel, cracked or broken glass, and tyres.

Recommended retail pricing is inclusive of an optional 5 year/100,000 km Audi Freeway Plan on all new Audi vehicles.

Top-up options to extend maintenance are available at extremely competitive rates. Audi has specially designed the Audi Freeway Plan for easy operation on the part of the owner. Making an appointment with any one of our approved Audi Servicing Dealers can effect regular servicing and maintenance as well as repairs (with the exception of accident damage).

All work is handled by the relevant service department, which will liaise directly with the Audi Freeway Plan Maintenance Unit. No extra effort or payment is required from the Audi owner. The Audi Freeway Plan is registered with the vehicle and as such is transferable to the new owner should the car be sold before the Audi Freeway Plan has expired, giving added resale value. The Audi Freeway Plan is available in addition to Audi's standard one-year/unlimited distance vehicle warranty. The Audi Freeway Plan is subject to certain exclusions, covers any repairs necessary after the expiry of the standard warranty.

Audi Assist | Emergency and Personal Assistance

Audi Assist is a programme whereby Audi of South Africa and its Dealer Network pledge to provide you with peace of mind motoring by providing the infrastructure to support a countrywide emergency service 24 hours a day, every day.

The programme is known as Audi Assist and operates within the borders of South Africa as well as Namibia and Botswana. The objective of the programme is to ensure on the spot roadside assistance offered by a fully equipped and trained Audi technician.

The primary focus is to get you mobile in your own vehicle. Where a roadside repair cannot be effected and the vehicle needs to be towed to the nearest Audi dealer, you and the occupants of the vehicle will be transported to a place of safety in the dealer's roadside assistance vehicle.

Contact details within South Africa:

086 043 4838

Contact details for neighbouring states:

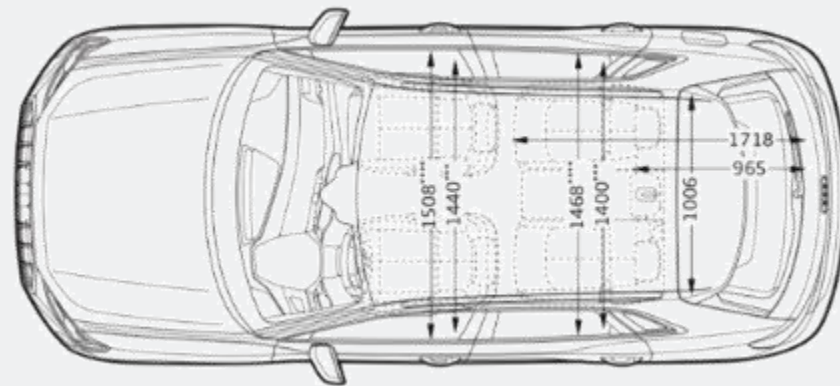
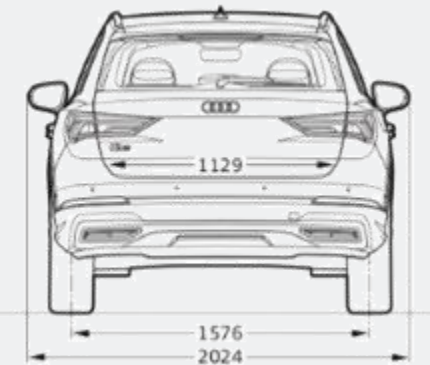
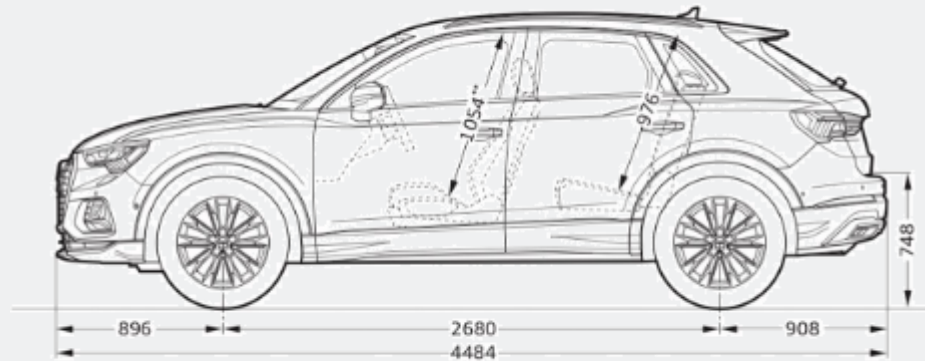
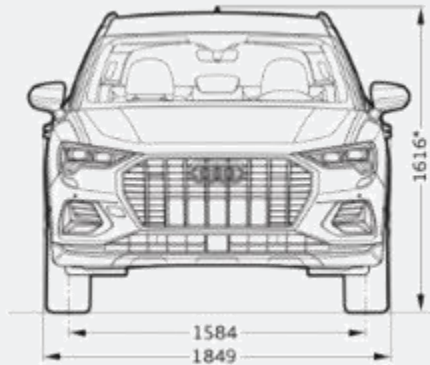
+27 41 994 5616

24 hours a day, 7 days a week

Vehicle model and VIN number will be required.

Audi Q3 Dimensions

All the measurements you need



Audi Q3 luggage compartment capacity:

550l - nominal position

620l - Rear seat bench pushed forward

1 525l - Largest luggage compartment volume behind the first row of seats

Q3



Information in this pricelist

We've done all we can to make the prices, specifications, technical details and all other information you see in this pricelist accurate at the time of publication. We reserve the right to change prices or specification at any time. All prices shown include VAT, which is currently charged at 15%. Recommended retail pricing is not binding on the dealer and is inclusive of an optional 5 year/100,000km Audi Freeway Plan.

Please check model availability and full specification details with your Audi Dealership prior to ordering. Neither Audi South Africa nor Audi Dealers can accept contractual responsibility for your reliance on the information contained in this pricelist. Performance figures and specifications relating to Audi vehicles are indicative only and performance cannot be guaranteed. Performance figures and specifications may be updated from time to time, when new test results or other information become available. Your local Audi Dealership can always provide you with the most up-to-date information available. Written and visual depictions (including photographs) of vehicles, are for illustrative purposes only and should not be relied upon. Some illustrations may not accurately reflect South African specifications (including paint and trim colours) and may not be available. If in doubt, always contact your local Audi Dealership.